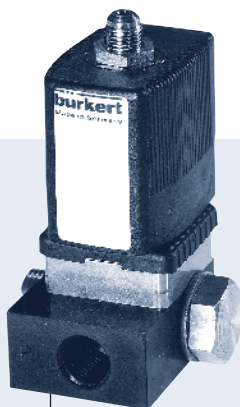
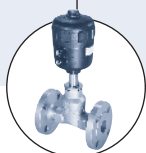


3/2-way Direct Mounting Pilot Valve



- Suitable for all Burkert process valves
- Ready for direct mounting
- Reduced power consumption
- Push-over solenoid coil
- Manual override

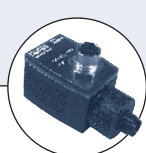
Type 6014P can be combined with...



Type 2012
Globe valve



Type 1078
Timer unit



Type 2512/2511
ASI cable plug

The direct acting 3/2-way valve, Type 6014 is a specially developed pilot valve for externally controlled actuators. (e.g. Type 2000, 2012, 2030, 2031). It consists of valve Type 6014 with sub-base connection and a banjo bolt connection.

With the banjo bolt the valve can be fastened very simply to the pilot air port of the actuator.

Circuit function C



3/2-way valve, NC

Technical data

| | |
|------------------------------|---|
| Orifice | DN 1.5 and 2.0 |
| Material | |
| Flange body (valve) | Brass or polyamide (PA) |
| Banjo bolt | Brass, nickel-plated resp. Aluminium, anodized |
| Banjo coupler | Aluminium |
| Seal material | FKM |
| Media | Neutral gases and fluids, compressed air |
| Media temperature | 14°F up to 212°F (-10°C up to +100°C) |
| Ambient temperature | Max. 131°F (+55°C) |
| Voltage tolerance | ±10% |
| Duty cycle | 100% continuous rating |
| Electrical connection | Tag connector acc. to DIN EN 175301-803 (previously DIN 43650), Form A for cable plug |
| Protection class | IP 65 with cable plug |
| Installation | As required, preferably with actuator upright |

Power consumption

| Orifice [mm] | Inrush AC [VA] | Hold AC (hot coil) [VA] | [W] | DC (hot coil) [W] |
|-----------------|-------------------|----------------------------|-----|----------------------|
| 1.5 | 11 | 6 | 2 | 2 |
| 2.0 | 24 | 17 | 8 | 8 |

Response times

| Orifice [mm] | AC | | DC | |
|-----------------|--------------|--------------|--------------|--------------|
| | Opening [ms] | Closing [ms] | Opening [ms] | Closing [ms] |
| 1.5 | ca. 25 | ca. 35 | ca. 25 | ca. 35 |
| 2.0 | ca. 18 | ca. 22 | ca. 18 | ca. 22 |

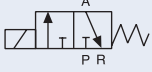
Response times [ms]:

Measured at valve outlet at 87 PSI and 68°F (+20°C)

Opening: pressure build-up 0 to 90%, closing: pressure relief 100 to 10%

Ordering chart for valves (other versions on requests)

All valves with FKM seal and manual override, with standard cable plug Type 2508
Anodized aluminium banjo coupler, nickel-plated brass banjo bolt

| Circuit function | Pressure inlet P (banjo coupler) | Service port A (banjo bolt) | Orifice [mm] | C _v | Q _{Nn} value air [l/min] | Material flange body | Pressure range [PSI] | Power consumption [W] | Item no. per voltage/frequency [V/Hz] | | | |
|---|----------------------------------|-----------------------------|--------------|----------------|-----------------------------------|----------------------|----------------------|-----------------------|---------------------------------------|---------|---------|---------|
| | | | | | | | | | 024/DC | 024/60 | 120/60 | 240/60 |
| C 3/2-way, normally closed (NC)  | NPT 1/4 | G 1/8 | 1.5 | .08 | 75 | PA | 0 – 87 | 2 | 429 150 | 429 151 | 429 152 | 429 153 |
| | | G 1/4 | 1.5 | .08 | 75 | PA | 0 – 87 | 2 | 429 138 | 429 139 | 429 140 | 429 141 |
| | | G 1/8 | 2.0 | .13 | 120 | Brass | 0 – 145 | 8 | 429 146 | 429 147 | 429 148 | 429 149 |
| | | G 1/4 | 2.0 | .13 | 120 | Brass | 0 – 145 | 8 | 429 134 | 429 135 | 429 136 | 429 137 |

i Further versions on request



Approvals

ATEX Version (Encapsulation and intrinsically safe)
UR / UL / CSA

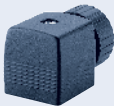


Materials

Flange body in stainless steel

Ordering chart for accessory

Cable plug Type 2508 according to DIN EN 175301-803 Form A

|  | Circuitry | Voltage / frequency | Item no. |
|---|--|---------------------|----------|
| | None (standard) | 0 - 250 V AC/DC | 008 376 |
| | further versions see datasheet Type 2508 | | |



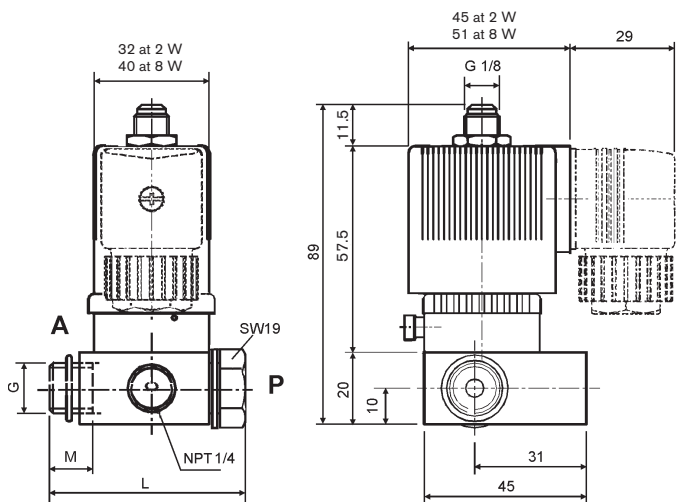
Fixing screw

Flat seal

The delivery of a cable plug includes the flat seal and the fixing screw. For other cable plug versions acc. to DIN EN 175301-803 Form A (previously DIN 43650), see separate datasheet Type 2508.

Dimensions [mm]

Anodized aluminium banjo coupler, nickel-plated brass banjo bolt



| G | M | L |
|-------|----|----|
| G 1/8 | 10 | 51 |
| G 1/4 | 12 | 54 |