

## 3/2-way Miniature Rocker Solenoid Valve for pneumatic systems

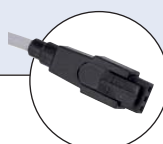
- Direct-acting
- High cycling rate
- Reduced power consumption
- CNOMO and Bürkert flange interface
- ATEX Ex ia on request

Type 6106 can be combined with...



**Type 2506**

Cable plug



**Type 2505**

Rectangular  
cable plug



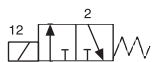
**Manifolds**

The direct-acting rocker solenoid valve type 6011 is especially designed for neutral gaseous mediums.

The heat input in the medium is minimal, because the housing is separated from the coil by a stainless steel plate.

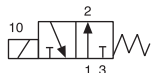
The valves can be mounted directly or also single or manifold mounted. They are used for dosing, filling, mixing and distributing small quantities of medium.

### Circuit function C



3/2-way valve, direct acting,  
normally closed 2 decreased

### Circuit function D

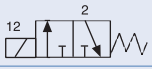
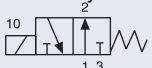
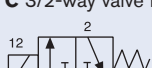
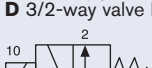


3/2-way valve, direct acting,  
normally closed 2, pressurized

Technical data	
<b>Orifice</b>	DN 0,9 an 1,2 mm, other on request
<b>Body material</b>	PA (polyamide)
<b>Seal material</b>	FKM
<b>Media</b>	Compressed air, neutral gases (5 µm filtering) technical vacuum
<b>Media temperature</b>	-10 to +55 °C
<b>Ambient temperature</b>	-10 to +55 °C
<b>Port connection</b>	Bürkert flange below, CNOMO flange sideways
<b>Operating voltages</b>	12V, 24V/DC, other voltages on request
<b>Voltage tolerance</b>	±10%
<b>Power consumption</b>	1 W and 2 W
<b>Cycling rate</b>	Approx. 1000/min
<b>Duty cycle</b>	100% continuous rating
<b>Electrical connection</b>	Tag connector sideways acc. to DIN EN 175301-803 (prev. DIN 43650) Form C for cable plug Type 2506, other on request
<b>Protection class</b>	IP 20 with tag connector, IP 65 with cable plug
<b>Installation</b>	As required, preferably with actuator upwards
<b>Response times</b>	acc. ISO 12238:2001; Measured at valve outlet at 6,3 bar and + 20°C
Opening	Approx. 25ms (pressure rise 0 to 10%)
Closing	Approx. 25ms (pressure rise 100% to 10%)

## Ordering chart for valves (other versions on request)

All valves with manual override, tag connector sideways, mounting screws and flange seal, without cable plug

Circuit function	Port connection	Orifice [mm]	QNn value air 1 → 2 [l/min]	QNn value air 2 → 3 [l/min]	Pressure range [bar]	Power consumption [W]	Item no. per voltage/fre- quency [V/Hz]
							024/DC
<b>C</b> 3/2-way valve NC 	Bürkert	0.9	22	25	Vak.-8	1	126 417
	Bürkert	1.2	40	47	Vak.-10	2	126 411
<b>D</b> 3/2-way valve NO 	Bürkert	0.9	22	25	Vak.-8	1	126 421
	Bürkert	1.2	40	47	Vak.-10	2	126 419
<b>C</b> 3/2-way valve NC 	CNOMO	0.9	22	25	Vak.-8	1	126 418
	CNOMO	1.2	33	38	Vak.-10	2	126 414
<b>D</b> 3/2-way valve NO 	CNOMO	0.9	22	25	Vak.-8	1	126 422
	CNOMO	1.2	33	38	Vak.-10	2	126 420

**Note:** For alternating current, use a cable plug with a suitable rectifier.

**Please note** that the cable plug has to be ordered separately, see datasheet for Type 2506.

### **i** Weitere Ausführungen auf Anfrage



#### Port connection

Flange, Cnomo, plug-in coupling, tube body



#### Electrical connections

Industrial plug C, Bürkert Rectangular plug, Circular connector M8; flying leads

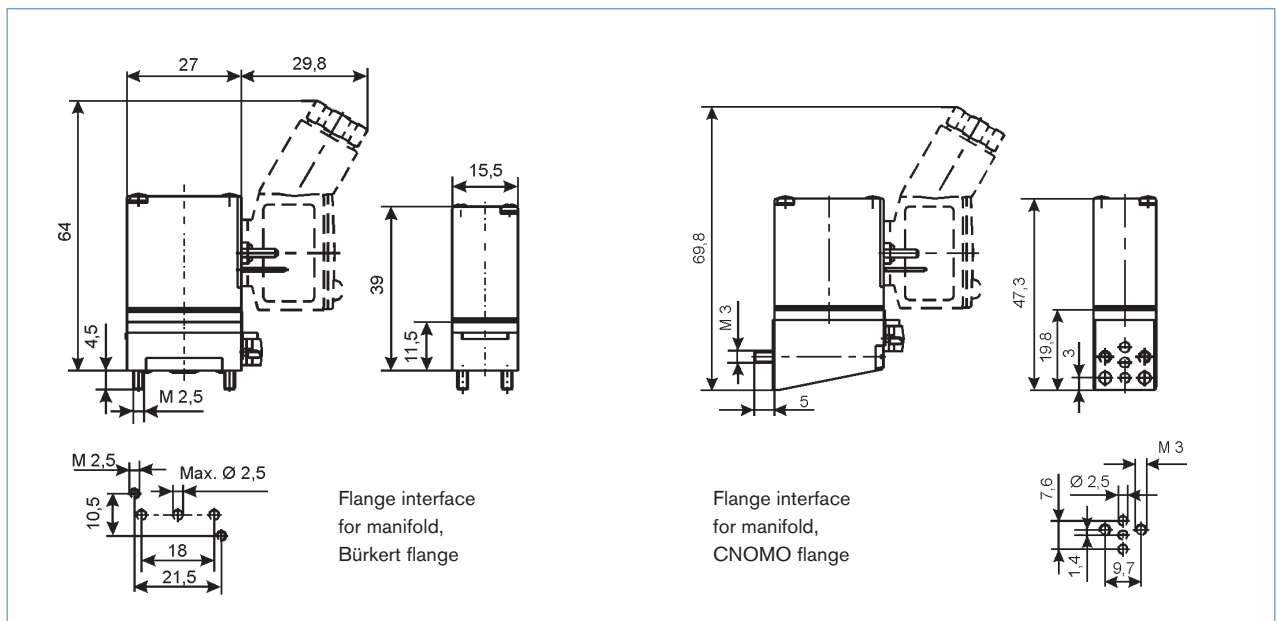


#### Approvals

ATEX EEX I, UL /CSA

**Note:** Also available as an option without manual override.

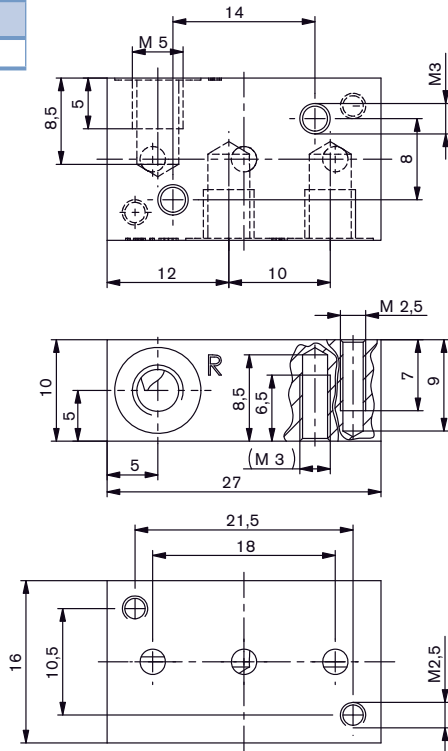
## Dimensions [mm]



Single manifolds for Bürkert flange [mm]

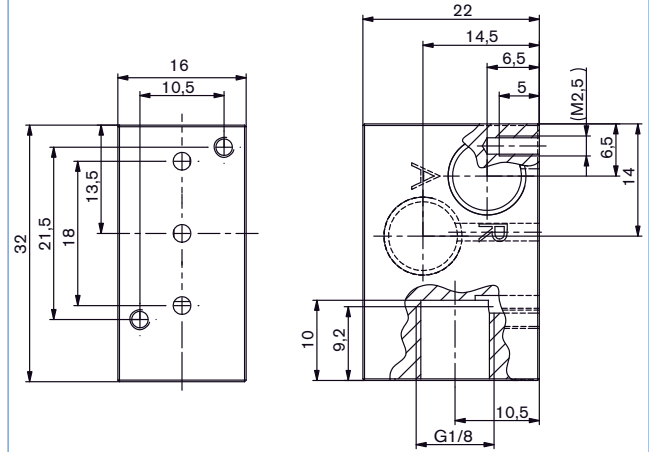
Manifold in aluminium,  
black anodised, port connection M5

Item no.  
623 873



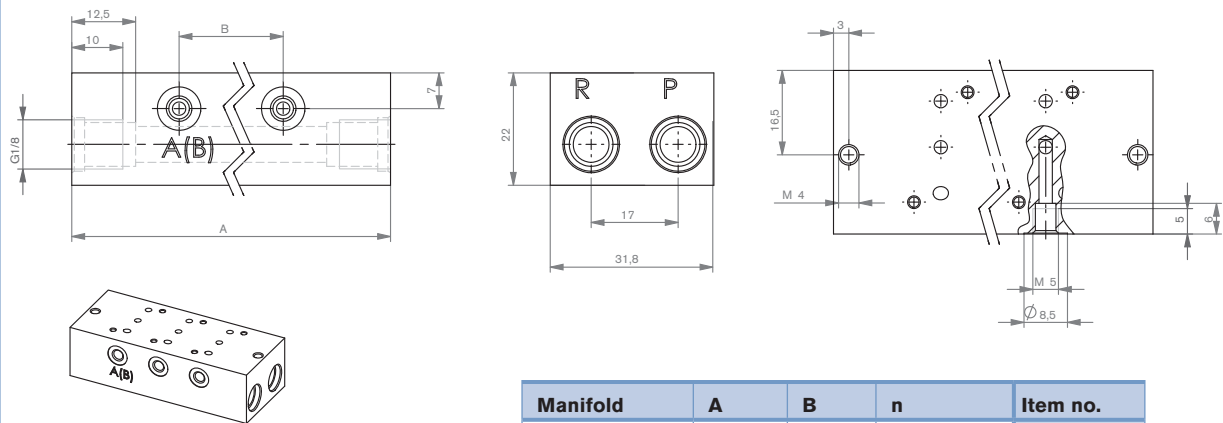
Manifold in aluminium,  
black anodised, port connection G 1/8

Item no.  
634 917



Multiple manifolds for Bürkert flange 3-way [mm]

Manifold in aluminium, black anodised, port connection G 1/8 und M5



Manifold	A	B	n	Item no.
2-way	60	18	2	658 695
3-way	78	36	3	658 696
4-way	96	54	4	658 697
5-way	114	72	5	658 698
6-way	132	90	6	658 699
8-way	168	126	8	658 700
10-way	204	162	10	658 701
12-way	240	198	12	658 703
Blanking plate kit	for non-configured valve positions			629 327

Single manifolds for CNOMO flange [mm]

Manifold for CNOMO flange, black anodised, port connection M5

**Item no.**  
639 885

Mounting kit, complete for standard rail TS35 x 7,5 mm

**Item no.**  
629 254

Multiple manifolds CNOMO flange 3-way


Manifold in aluminium, black anodised, port connection G 1/8 and M5

**Manifold** | **L** | **Item no.**



2-way	33	639 887
3-way	49.5	639 862
4-way	66	639 863
5-way	82.5	639 864
6-way	99	639 865
8-way	132	639 866
10-way	165	639 867
12-way	198	639 868
Blanking plate kit	for non-configured valve positions	639 695

## Ordering chart for accessories

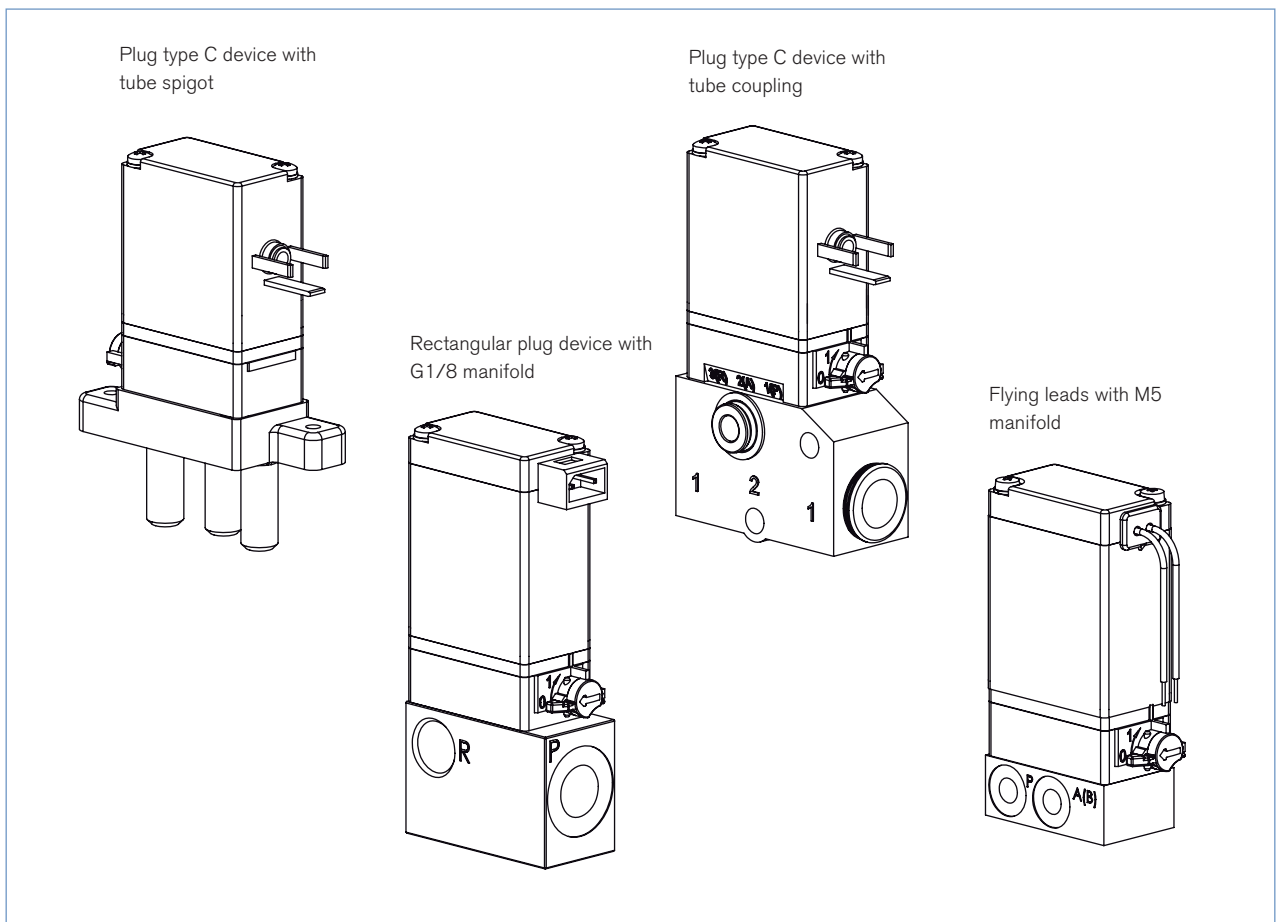
Cable plug type 2506 acc. DIN EN 175301-803 form C, with flat seal and mounting screw, without cable

	<b>Cable plug type 2506</b>	<b>Voltage</b>	<b>Item no.</b>
	without circuitry	0-250V/AC+DC	008 353
	with LED	12-24V/DC	008 402
	with LED and varistor	12-24V/DC	008 408
	with rectifier, LED and varistor	12-24V/AC+DC	008 354

Cable plug type 2505

	<b>Type 2505 cable version</b>	<b>Item no.</b>
	with 3m cable	133 486
with 5m cable	167 494	
	<b>Type 2505 flying leads version</b>	<b>Item no.</b>
	with 300mm flying leads	644 068
	with 600mm flying leads	162 144

## Application examples



To find your nearest Bürkert facility, click on the orange box → [www.burkert.com](http://www.burkert.com)

In case of special application conditions,  
please consult for advice.

Subject to alterations  
© Christian Bürkert GmbH & Co. KG

1111/4\_EU-en\_00891743