

Probe holders for pH/O.R.P. probes

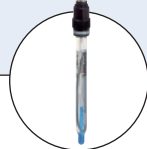


Type 8200 can be combined with...



Type S020

INSERTION fitting



Type 8203

pH/O.R.P. probe

- For many different types of installations and applications
- Large range of probe holder
- Versions for DN15 to DN200

A pH or O.R.P. Bürkert sensor is a modular device designed for the measurement of:

- the pH in clean liquids or liquids containing solids, sulphides or proteins.
- or the oxidation-reduction potential in clean liquids or liquids containing solids, sulphides or proteins which may present low conductivity.

The complete sensor consists of a replaceable standard 120 mm pH or ORP probe Type 8203, a Pt1000 temperature sensor or a liquid earth rod (in option and depending on sensor version) screwed in a probe holder Type 8200. The probe holders Type 8200 are available in a wide range of process connection for various fittings.

The probe holder Type 8200 can be installed into pipes or tanks by using

- G2" connection (using a Bürkert INSERTION fittings Type S020)
- G1" connection
- G1 1/4" connection
- Varivent connection
- Clamp connection
- Sanitary connection (according to DIN11851)
- fixing kit for immersion fitting.

General data

Materials

Fitting

Brass, Stainless steel 1.4404/316L, PVC, PP or PVDF

Probe holders

G2" connection

Stainless steel, PVC, PP, PVDF

G1" connection

PVC

G1 1/4" connection

Stainless steel (316L/DIN1.4435)

Varivent connection

Stainless steel (316L/DIN1.4435)

Sanitary connection

(according to DIN11851)

Stainless steel (316Ti/1.4571), DN40, 50

Clamp connection

Stainless steel (316L/DIN1.4404) or Stainless steel (316L/DIN1.4435)

Immersion fitting

PP

Pt1000 or Liquid earth rod

Stainless steel 1.4571 (316 Ti)

Seal

FKM (EPDM option)

Probe

120 mm Bürkert pH or ORP probe Type 8203 or any combined 120 mm pH or ORP probe, without temperature sensor, with PG13.5 head, S7/S8 connector

Environment

Ambient temperature

Temperature limits may depend on the inserted probe Type 8203. Refer to the relevant instruction manual or technical data sheet Type 8203 for more details

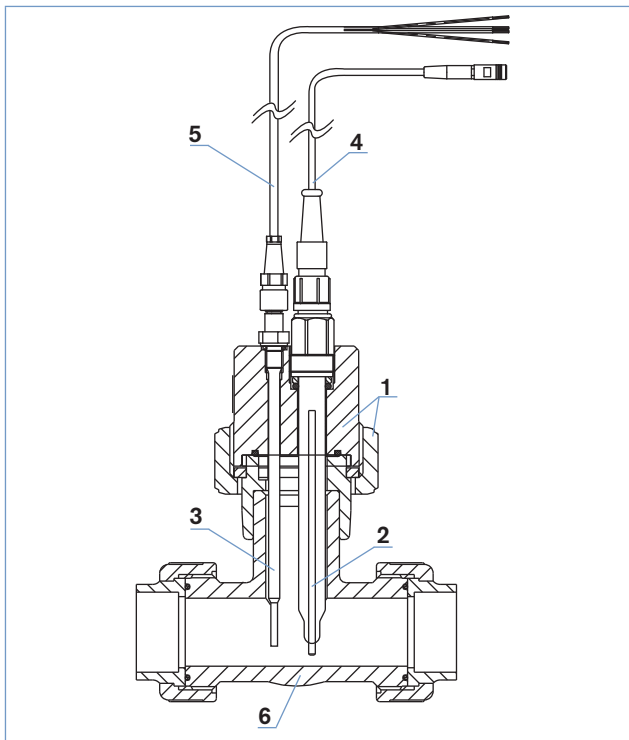
Complete device data (holder + probe)

Pipe diameter	DN15 to DN200
Medium temperature*	
Probe holders	
G2" connection	with fitting in PVC: 0°C up to 50°C (32°F to 122°F), PP: 0°C up to 80°C (32°F to 176°F), PVDF, Metal: -20°C up to 130°C (5°F to 266°F)
G1" connection	0°C up to 50°C (32°F to 122°F)
G1 1/4" connection	0°C up to 135°C (32°F to 275°F)
Varivent connection	0°C up to 135°C (32°F to 275°F)
Sanitary connection (according to DIN 11851)	0°C up to 135°C (32°F to 275°F)
Clamp connection	0°C up to 135°C (32°F to 275°F)

* Temperature limits may depend on the inserted probe Type 8203. Refer to the relevant instruction manual or technical data sheet Type 8203. If the temperature ranges given for the holder and the inserted probe are different, use the most restrictive range.

Medium pressure*	
Probe holders	
G2" connection	with fitting in PVC, PP, PVDF: PN10 (145 PSI), metal: PN16 (232 PSI)
G1" connection	PN10 (145 PSI)
G1 1/4" connection	PN6 (87 PSI)
Varivent connection	PN6 (87 PSI)
Sanitary connection ¹⁾ (according to DIN 11851)	PN6 (87 PSI)
Clamp connection ¹⁾	PN6 (87 PSI)

* Pressure limits may depend on the inserted probe Type 8203. Refer to the relevant instruction manual or technical data sheet Type 8203. If the pressure ranges given for the holder and the inserted probe are different, use the most restrictive range.

Installation example of Type 8200**Probe holder Type 8200 for installation with a Bürkert fitting S020**

A complete pH/O.R.P. sensor consists of

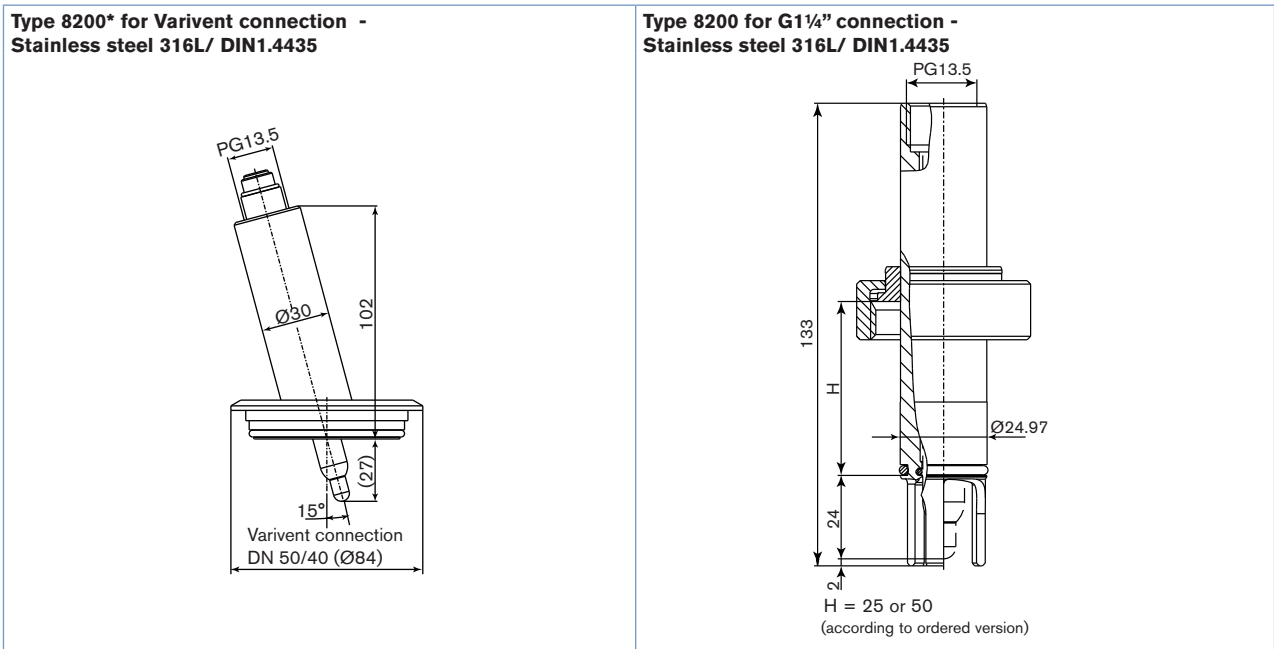
1. Complete probe holder Type 8200 with nut and seals
2. pH/O.R.P. probe
3. Pt1000/liquid earth rod (option)
4. Shielded cable for pH /O.R.P.
5. Shielded cable for Pt1000/liquid earth rod (option)
6. Bürkert fitting S020 (G2" connection)

Dimensions [mm]

<p>Type 8200* for G 2" connection for installation on Bürkert Fitting S020 - PVC, PP, PVDF, Stainless steel</p>	<p>Type 8200* for connection with fixing kit</p> <table border="1"> <thead> <tr> <th>L</th> </tr> </thead> <tbody> <tr> <td>500</td> </tr> <tr> <td>1000</td> </tr> <tr> <td>1500</td> </tr> <tr> <td>2000</td> </tr> </tbody> </table>	L	500	1000	1500	2000				
L										
500										
1000										
1500										
2000										
<p>Type 8200* for G 1" connection - PVC</p> <p>short holder version long holder version</p>	<p>Type 8200* for Clamp connection - Stainless steel 316L</p> <table border="1"> <thead> <tr> <th colspan="3">Long immersion depth</th> </tr> <tr> <th></th> <th>Ø A</th> <th>Ø B</th> </tr> </thead> <tbody> <tr> <td>1" 1/2</td> <td>42.4</td> <td>50.5</td> </tr> </tbody> </table>	Long immersion depth				Ø A	Ø B	1" 1/2	42.4	50.5
Long immersion depth										
	Ø A	Ø B								
1" 1/2	42.4	50.5								
<p>Type 8200* for sanitary connection (according to DIN 11851) - Stainless steel 316Ti</p> <table border="1"> <thead> <tr> <th>DN</th> <th>Ø C</th> <th>Ø D</th> <th>Ø E</th> </tr> </thead> <tbody> <tr> <td>50</td> <td>61</td> <td>68,5</td> <td>11</td> </tr> </tbody> </table>	DN	Ø C	Ø D	Ø E	50	61	68,5	11	<p>Type 8200 for Clamp connection - Stainless steel 316L / DIN1.4435</p> <p>Short immersion depth</p>	
DN	Ø C	Ø D	Ø E							
50	61	68,5	11							

* with pH/O.R.P. probe and Pt1000/liquid earth rod (have to be ordered separately)

Dimensions [mm]



* with pH/O.R.P. probe and Pt1000/liquid earth rod (have to be ordered separately)

Combining the probe holders Type 8200 with fittings Type S020

Available fitting DN	T-fitting S020	DN15	DN65	
	Welding tab S020		DN50	DN200
	Fusion spigot S020		DN65	DN100
pH or O.R.P. measurement using probe holders Type 8200 and S020		DN15	DN32	DN200
Note A: Only use plastic fitting in analytical version with true union acc. to DIN8063 (PVC), to DIN16962 (PP) or to ISO10931 (PVDF), see data sheet Type S020		Note A		

Ordering information for complete sensor using Type 8200

■ pH/O.R.P sensor for tank or pipe installation

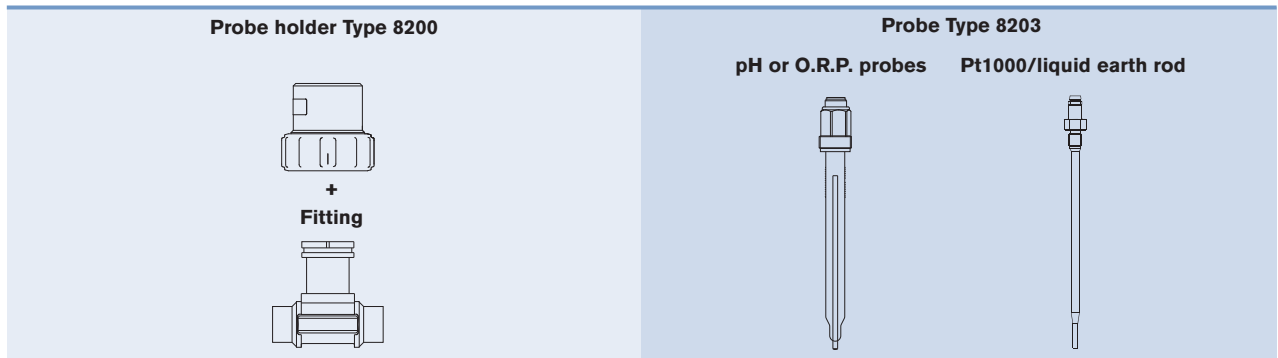
A complete pH/O.R.P. sensor consists of a probe holder Type 8200 with seals, a pH or O.R.P. probe Type 8203, a Pt1000/liquid earth rod (option) and a fitting according to the selected holder.

The following information is necessary for the selection of a complete device:

- **Item no.** of the desired probe holder **Type 8200** (see ordering chart, p. 6)
- **Item no.** of the selected pH or O.R.P. probe **Type 8203** (see separate data sheet) [More info.](#)
- **Item no.** of the Pt1000/liquid earth rod if needed (see separate data sheet Type 8203)
- **Item no.** of the selected fitting **Type S020** (DN15 - DN200) **only** if probe holder with G 2" connection (see separate data sheet) [More info.](#)

When you click on the orange box "More info.", you will come to our website for the resp. product where you can download the data sheet.

→ You have to order the components separately.



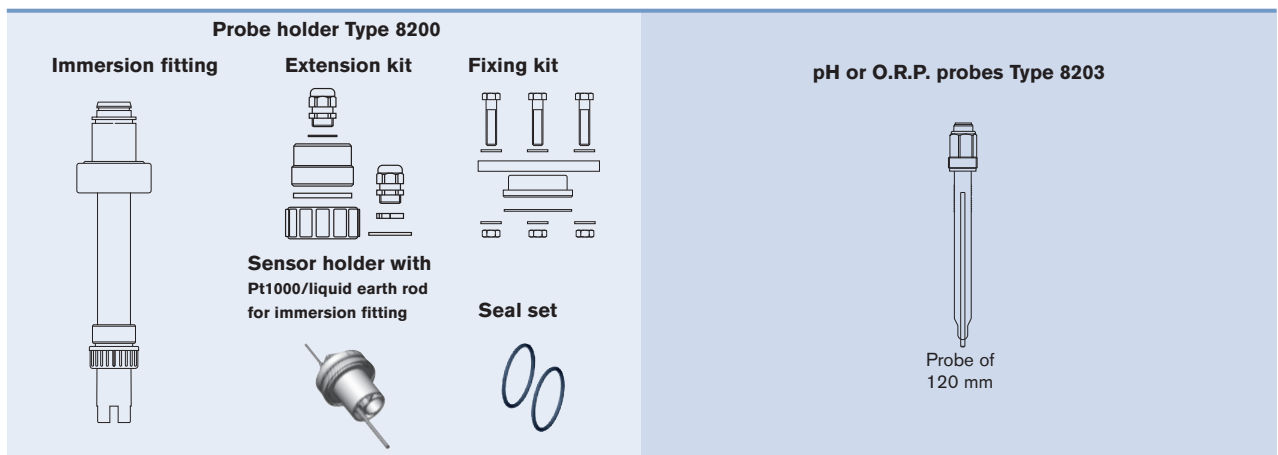
■ pH/O.R.P sensor for tank installation with the immersion fitting

A complete pH/O.R.P. sensor for tank installation is consisting of an immersion fitting, an extension kit for immersion fitting, a fixing kit (flange DN65 with stainless steel screws), a probe holder with Pt1000/liquid earth rod, a pH or O.R.P. probe Type 8203 and a seal.

The following information is necessary for the selection of a complete device:

- **Item no.** of the immersion fitting (see ordering chart of probe holders, p. 6)
- **Item no.** of the extension kit for the immersion fitting (see ordering chart of accessories, p. 6)
- **Item no.** of the fixing kit (flange DN65 with stainless steel screws - see ordering chart of accessories, p. 6)
- **Item no.** of the probe holder with Pt1000/liquid earth rod (see ordering chart of probe holder, p. 6)
- **Item no.** of the 120 mm pH or O.R.P. probe **Type 8203** (see separate data sheet) [More info.](#)
- **Item no.** of the seal set if EPDM desired (see ordering chart of accessories, p. 6)

→ You have to order the components separately.



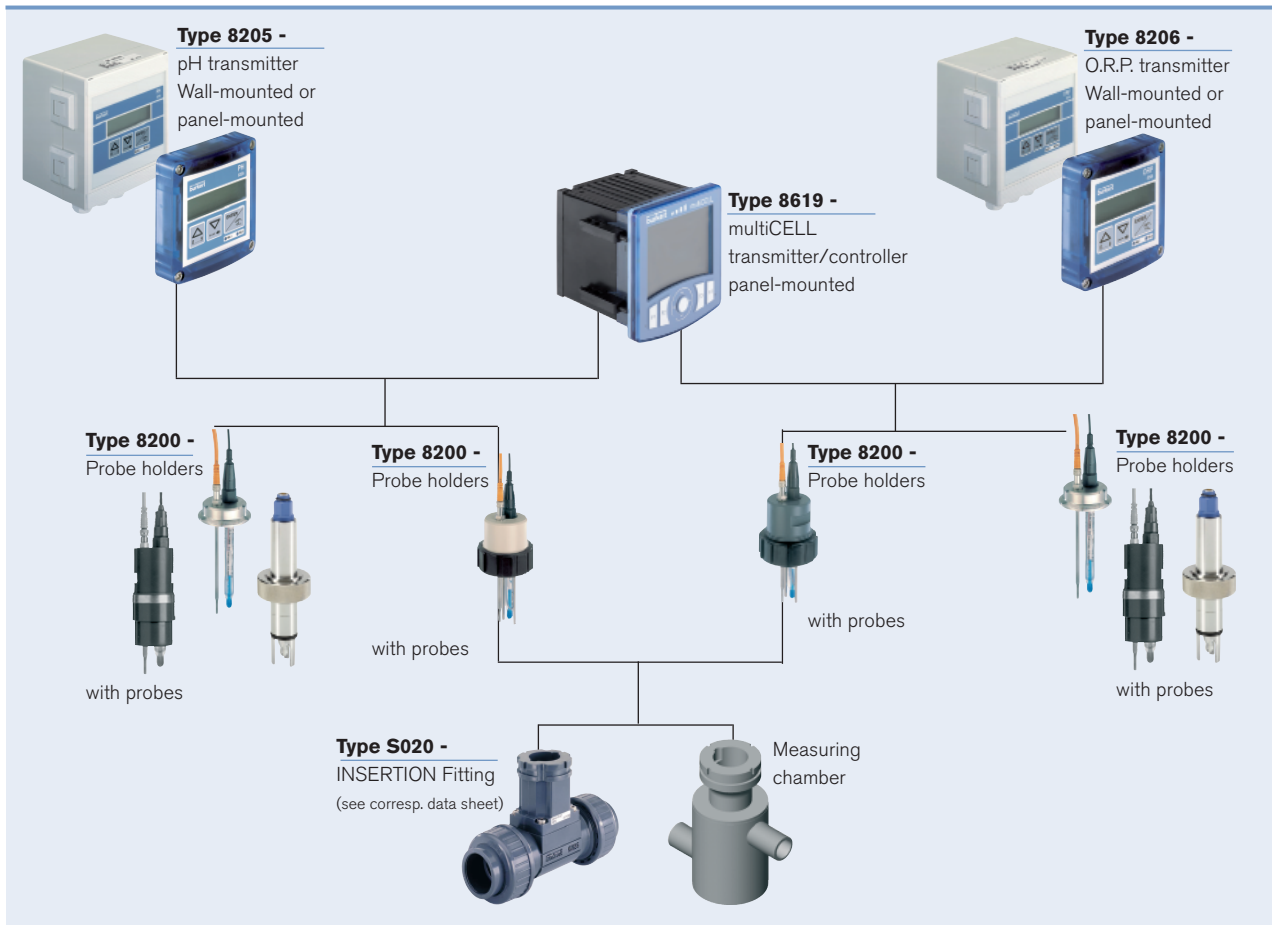
Ordering chart - probe holders Type 8200

For G2" connection for installation on Bürkert fitting S020	standard	PVC	Yes	Yes	429 228
		PP	Yes	Yes	429 229
		PVDF	Yes	Yes	429 230
		Stainless steel	Yes	Yes	429 231
For G1" connection	short	PVC	Yes	No	429 221
	long	PVC	Yes	No	429 223
For clamp 1 1/2" connection - (dia. 50.5 mm)	Long immersion depth	Stainless steel 316L	Yes	Yes	429 235
For sanitary connection DN50 - (DIN11851)	standard	Stainless steel 316Ti	Yes	Yes	429 255
For clamp 1 1/2" connection- (dia. 50.5 mm)	Short immersion depth	Stainless steel 316L	No	Yes	558 885
For Varivent connection DN40/50	15°	Stainless steel 316L	No	Yes	562 433
For G1 1/4" connection	High=25	Stainless steel 316L	No	Yes	562 431
For G1 1/4" connection	High=50	Stainless steel 316L	No	Yes	562 432
For immersion fitting	Pt1000/liquid earth rod in stainless steel	PVDF	Yes	Yes	418 889
For immersion fitting	Pt1000/liquid earth rod in titanium	PVDF	Yes	Yes	418 890
Immersion fitting	L=0.5 m	PP	No	Yes	419 567
Immersion fitting	L=1.0 m	PP	No	Yes	419 568
Immersion fitting	L=1.5 m	PP	No	Yes	419 569
Immersion fitting	L=2.0 m	PP	No	Yes	419 570

Ordering chart for accessories

Set with FKM seal	429 264
Set with 1 green FKM + 1 black EPDM seal	552 111
Extension kit for the immersion fitting L= X m	562 573
Fixing kit - flange DN65 with stainless steel screws	413 615

Interconnection possibilities with other Bürkert devices



DTS 1000141421 EN Version: D Status: RL (released | freigegeben | valide) printed: 12.03.2012

To find your nearest Bürkert facility, click on the orange box →

www.burkert.com

In case of special application conditions,
please consult for advice.

Subject to alteration.
© Christian Bürkert GmbH & Co. KG

1203/3_EU-en_00895158