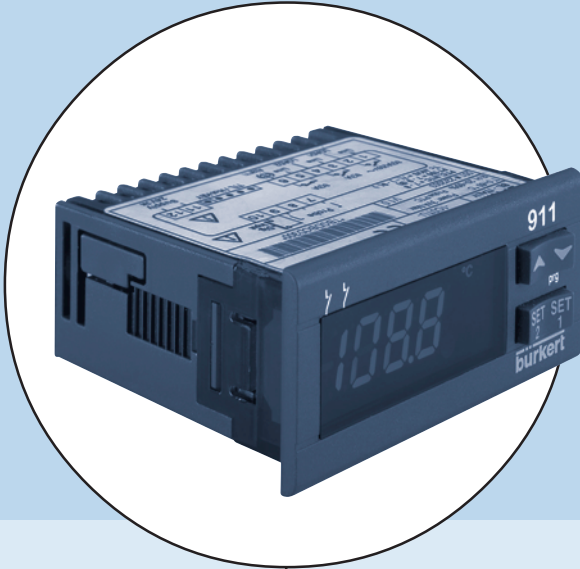


Operating Instructions

Bedienungsanleitung
Instructions de Service

MAN 1000050149 ML Version: D Status: RL (released | freigegeben) printed: 01.12.2009



Type 0911

3 stage controller
3-Punkt-Regler
3 Régulateur Ponctuel

Id. No. 788 267
788 268
788 269
788 270

MAN 1000050149 ML Version: D Status: RL (released I freigegeben) printed: 01.12.2009

We reserve the right to make technical changes without notice.
Technische Änderungen vorbehalten.
Sous réserve de modification techniques.

© 2004 Bürkert Werke GmbH & Co.

Operating Instructions 0509/03_EU-ml_00804610

3-STAGE CONTROLLER TYPE 0911

1	GENERAL INFORMATION	2
1.1	Symbols	2
1.2	Safety notes	2
1.3	Scope of delivery	3
1.4	Warranty provisions	3
2	SYSTEM DESCRIPTION	4
2.1	General description	4
2.2	Operation	4
2.3	Before the installation	7
2.4	Control	8
2.5	Parameters	10
2.6	Controlling the loads 13	
3	TECHNICAL DATA	14
4	ASSEMBLY, INSTALLATION AND COMMISSIONING	15
4.1	General information regarding the installation and operation	15
4.2	Assembly	15
4.3	Electrical connections	16
5	HOT-KEY FUNCTION	18
6	FACTORY SETTING	19
7	MAINTENANCE	21
8	REPAIR WORK	21
8.1	Faults	21
8.2	Ordering table for basic unit/accessories	22

1 GENERAL INFORMATION

1.1 Symbols

The following symbols are used in these operating instructions:

→ marks a work step that must be carried out.



ATTENTION!

indicates information which, if ignored, could lead to a risk to your health or to the functionality of the device.



NOTE

|| indicates important additional information, tips and recommendations.

1.2 Safety notes



Please observe the notes in these operating instructions together with the conditions of use and permitted data that are specified in the data sheets of the 0911 controller, so that the device will function perfectly and will have a long service life.

- Keep to the standard engineering rules when planning and operating the device!
- Installation and maintenance work may only be carried out by specialist personnel using the correct tools!
- Observe the current regulations on accident prevention and the safety regulations for electrical devices during the operation and maintenance of the device!
- Comply with the intended usage of the device.
- Only operate the device with its housing fitted.
- Before connecting the device, check that the power supply corresponds to the values printed on the device.
- Check that the connections are correct before switching on the device.
- Observe the maximum load of the relay contacts (see technical data).
- Ensure that all sensors are installed with sufficient separation from voltage-conducting lines. This will avoid incorrect temperature readings and will protect the device from voltage interference at the sensor inputs.
- For applications in the industrial sector with critical environments, switch an RC element in parallel (FT1).
- Always switch off the mains supply before carrying out manipulations on the system.
- Take suitable measures to exclude unintended operation and damage by unauthorised operation!

- Please observe the prescribed environmental conditions with regard to dampness and temperature limits. Malfunctions cannot be excluded if these conditions are not complied with.
- Call in your authorised Bürkert sales centre in case of doubt or faulty functioning.

In the case of the non-observance of these notes or of unauthorised manipulation of the device, we will accept no liability, and the guarantee on the device and its accessories will become void!

1.3 Scope of delivery

Immediately after receiving the delivery, ensure that the contents agree with the scope of the delivery. This includes:

- 1 Type 0911 controller
- 1 set of operating instructions (where required, on a data carrier)
- 1 front seal
- 2 Mounting clamps

In case of discrepancy, please contact our Customer centre immediately.

*Bürkert Steuer- und Regelungstechnik
Service-Abteilung
Chr.-Bürkert-Str. 13-17
D-76453 Ingelfingen*

Tel. : 07940-10111

or your Bürkert Sales Centre.

1.4 Warranty provisions

Bürkert provides a guarantee of one year on the correct functioning of the controller, under the precondition that the device is employed for its intended use and under compliance with the specified conditions for use.

If the functions of the device are not in order, the respective device will be repaired free of charge or will be replaced.



ATTENTION!

The warranty only covers the the controller and its components, but does not cover consequential damage of any kind that could arise from the failure or malfunctioning of the device.

2 SYSTEM DESCRIPTION

2.1 General description

3-point or neutral zone controller, 74 x 32 mm, with predefinable control function (e.g., heating/cooling or moisten/dehumidify)

The following models are available:

TYPE	Configurable Input	Parameter UDM (Defined by display unit)
TU Temperature controller	PTC, NTC, Pt100 Thermoelements J, K, S	UDM = °C UDM = °F
AU Control device with current/voltage input	4 ... 20 mA 0 ... 1 V 0 ... 10 V	0 = °C; 1 = °F 2 = % RH 3 = bar 4 = PSI 5 = without units

2.2 Operation






BUTTONS

- SET1** Display of Set-value 1
Changing and confirming a default during the programming phase
- SET2** Display of Set-value 2


BUTTON COMBINATIONS

- ▲ + ▼ Locking and unlocking the keypad
- SET1+ ▼ Selecting the programming level
- SET1+ ▲ Return to the room temperature display


LED MESSAGES

LED	Mode	Meaning
	on	Output 1 active
	on	Output 2 active
LED1	blinks	Programming level (blinks together with LED2)
LED2	blinks	Programming level (blinks together with LED1)
E.S.	on	Energy-saving mode (second set-value) has been activated by the digital input
Alarm LED 	on	- Signals an Alarm state - If you are in the lower programming level "Pr2", which can only be accessed using a password, the lighting up of the Alarm LED signals that the displayed parameters can also be accessed in the first level "Pr1" (without password).

SWITCH DEVICE ON/OFF

- SET1  → Hold the SET1 button down for at least 4 sec (only for parameter OnF = yes).

SET-VALUE DISPLAYS

- SET  → Briefly press the SET button once. The set-value display appears in the display.
- Briefly press the SET button again, or wait 5 seconds in order to display the room temperature.

CHANGING SET-VALUE 1 / SET-VALUE 2



- Hold down the SET button for 2 seconds.
- Change the set-value within 10 s with the ▲ or ▼ buttons.
- You can save the new set-value by briefly pressing the SET button or by waiting 10 seconds.

ENTER PROGRAMMING LEVEL



- Hold down the SET1 + ▼ button for at least 3 seconds.
 - Select with ▲ Pr2 and then confirm with the SET1 button.
 - Enter the password 321 and then confirm with the SET1 button.
 - ▲ Enter the „3“ and then 1x SET1 button
 - ▲ Enter the „2“, and then 1x the SET1 button
 - ▲ Enter the „2“, and then 1x the SET1 button
- You are now in the Parameter List.

USER LEVEL PR1



- Hold down the SET1 + ▼ button for at least 3 seconds. PR1 contains all the parameters that can be accessed by the user. The device shows the first parameter that is available in the user level.

SERVICE LEVEL PR2 (PASSWORD 321)



- See: *Accessing the programming level.*

ADDING/REMOVING PARAMETERS IN THE USER LEVEL PR1



- Accessing the programming level
 - The status can be changed with the SET1 + ▼ buttons.
- If a parameter is not visible in the PR1 level, this will be indicated by an LED point.

CHANGING THE DEFAULT PARAMETERS



- Enter a desired value with SET + ▼ or ▲ .
- Then confirm with the SET button.
- Enter a desired parameter with ▼ or ▲ .



NOTE

|| All the parameter values can only be seen by repeatedly pressing the SET1 buttons.

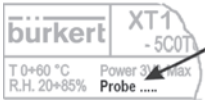
LOCKING AND UNLOCKING THE KEYPAD



- Hold down the buttons ▲ and ▼ for at least 3 seconds. The POF message appears on the display. **The keyboard is locked.** The POF message also appears if you hold down a button for longer than 3 s.
- **The keyboard will be unlocked** if you hold down the buttons ▲ and ▼ for 3 s. POn appears in the display for a few seconds.

2.3 Before the installation

PREDEFINE THE SENSOR TYPE



The configurable input type is noted on the controller label. Please enter this input type if it does not corresponds to the connected sensor type.



- Hold down the SET + ▼ buttons for 3 seconds.
- Select the parameter Pbc (sensor type) and then confirm with the SET button to see the current default.
- **Type TU (temperature controller):**
 - J = Thermoelement J; Pt = Pt100;
 - C = Thermoelement K; Ptc = PTC;
 - S = Thermoelement S; ntc = NTC

Type AU

(control devices with voltage/current input):

cur = 4...20 mA; 0-1 = 0...1 V; 10 = 0...10 V

- Confirm the default with the SET button.
- Briefly switch off the power to the device.

MEASUREMENT LIMITS FOR THE SENSOR TYPES

Sensor	Lower limit	Upper limit
NTC	-40°C	110°C
PTC	-50°C	150°C
Pt100	-200°C	600°C
TcK	0°C	1300°C
TcJ	0°C	600°C
TcS	0°C	1400°C

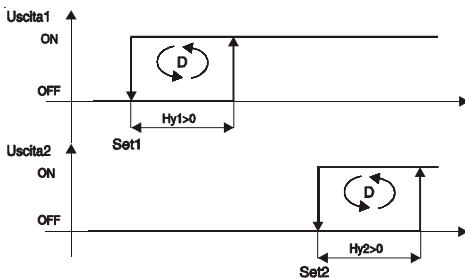
2.4 Control

TWO OUTPUTS INDEPENDENT OF ONE ANOTHER (OUC = IND)

Example:

Default for the set-values SET1 = 50°C und SET2 = 20°C. With parameter default OUC = ind, both set-values are completely independent of each other. The control function must also be predefined. For the control circuit No. 1 Par. S1C = in (heating, humidifying, etc.,) or S1C = dir (cooling, dehumidification, etc.). Also predefined for the control relay No. 2 (S2C = in or S2C = dir).

Example: ouC = ind, S1c = dir, S2c = dir



TWO OUTPUTS INDEPENDENT OF ONE ANOTHER (OUC = DIP)

3-STAGE CONTROLLER

Example:

Default for set-value SET1 = 50°C (for control circuit No. 1). Then predefine a number for SET2 = 5 Kelvin (Delta value). The resulting set-value is then SET2 = 55 °C (SET2 = SET1 + Delta-SET2). If SET1 is then increased, for example by 2 Kelvin to 52°C, SET2 increases to the same extent, i.e., also by 2 Kelvin to 57°C. Also define the control direction of the outputs via the parameters S1C and S2C. In the same way, the set-value default limits for SET2 result from LS2 = SET1 -Delta-LS2 and HS2 = +Delta-HS2.

NEUTRAL ZONE CONTROLLER

Example:

Default for set-value SET1 = 50°C (for control circuit No. 1). In order to configure a neutral zone control behaviour, always predefine:
SET2 = 0 Kelvin; LS2 = 0 and US2 = 0.

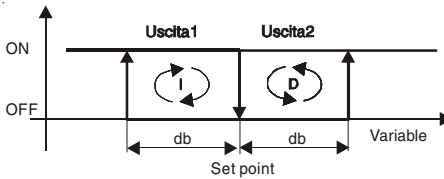
Configure the function of Relay 1 („uscita1“ in the following diagram):
S1C = in (heating) and Hy1= -2 Kelvin).

Configure the function of Relay 2 („uscita2“ in the following diagram):
S2C = dir (heating) and Hy2= +2 Kelvin).

Result (see following diagram):

SET1 = Set Point; db = Hy1 = Hy2

If the neutral zone SET1 - Hy1 is undershot, heating will take place (Relay 1 activated) until the set-value SET1 is reached. If the room temperature exceeds the neutral zone SET1 + Hy1, Relay 2 is activated (cooling) and will be switched off again at exactly SET1.



NOTE

Different values can also be predefined in Hy1 and Hy2. In this way, the switch-off point can be changed within the neutral zone!

2.5 Parameters

Control

Hy1	<i>Hysteresis 1</i>	Switch hysteresis of Set-value 1 with positive or negative values. The default range is dependent on the input type. The parameter may not be entered as zero. The control function is predefined with S1C.
Hy2	<i>Hysteresis 2</i>	Switch hysteresis of Set-value 2 with positive or negative values(as Hy1). The control function is predefined with S2C.
LS1	<i>Lowest set-value setting</i>	Set-value limits 1 for operator
LS2	<i>Lowest set-value setting</i>	Set-value limits 2 for operator
US1	<i>Highest set-value setting</i>	Set-value limits 1 for operator
US2	<i>Highest set-value setting</i>	Set-value limits 2 for operator
S1C	<i>Control function 1</i>	in = inverted (Heating, humidifying) dir = direct (cooling, dehumidifying)
S2C	<i>Control function 2</i>	in = inverted (heating, humidifying) dir = direct (cooling, dehumidifying)
AC	<i>Minimum switch-off period</i>	0 ... 250 sec relay switch-off period
ouc	<i>Dependency of the set-values</i>	diP = dependent ind = independent
on	<i>Minimum switch-on period</i>	0...250 sec relay switch-on period
ono	<i>Minimum delay</i>	0...120 min; minimum delay between two activations of the control relay.

Alarms

ALC	<i>Configuration Temperature alarm</i>	rE = relative to the set-value (in Kelvin) Ab = absolute values (in °C)
ALL	<i>Low temperature alarm</i>	If SET - ALL is undershot, a low temperature alarm will be triggered after the delay time ALd.
ALU	<i>Over-temperature alarm</i>	If SET + ALU exceeded, a high temperature alarm will be triggered after delay time ALd.
ALd	<i>Alarm delay at temperature Overshoot/Undershoot</i>	0...999 min; Minimum time in which the conditions for an alarm situation must be present.

Alarms

ALH	<i>Hysteresis for the Limit value alarms ALL and ALU</i>	Automatic alarm acknowledgement: With high alarm undershot by ALU - ALH and with low alarm with under shooting of ALL + ALH
dAO	<i>Alarm delay at with Mains ON</i>	0...23.5 hours; suppression of Alarms after commissioning.
So1	<i>Status of Control Relay 1 with sensor fault</i>	oFF = opened on = closed
So2	<i>Status of Control Relay 2 with sensor fault</i>	oFF = opened on = closed
tbA	<i>Status of the control relay after acknowledgement by of an alarm situation</i>	oFF = Relay deactivated on = Relay activated
AS	<i>Configuration of the alarm relay at an alarm</i>	cL = Terminal 5-6 closed oP = Terminal 5-6 closed

Measured value display

LCI	<i>Lower analog Display value (-1999...1999)</i>	scaling of the lower display value at Current input 4 mA or at Voltage input 0 V (only for the inputs 0-20 mA, 0-1V, 0-10 V)
UCI	<i>Upper analog display value (-1999...1999)</i>	Scaling of the upper display value at current input 20 mA or with voltage input 1 V and 10 V (only for the inputs 0-20 mA, 0-1V, 0-10 V)
OPb	<i>calibration of the sensor</i>	regardless of the measurement range
rES	<i>Resolution</i>	in = only whole numbers dE = also tenths ce = hundredths
UdM	<i>Units</i>	Display of the units directly in the illuminated display. Regardless of which controller type is being used: see <i>General description</i>
PbC	<i>Type of sensor Temperature sensor U): current/voltage input (AU)</i>	Type of inout J = Thermoelement „J“; Pt = Pt100; C = Thermoelement „K“; Ptc = PTC; S = Thermoelement „S“; ntc = NTC cur = 4...20 mA; 0-1 = 0...1 V; 10 = 0...10 V
P3F	<i>Third terminal of a Pt100 sensor</i>	(if present) no = Pt100 2-wire wired yES = Pt100 3-wire wired

Digital inputs

HES	<i>Temperature increase/ Reduction</i>	Set-value is increased/lowered by HES during an energy-saving phase Activation via digital input (i1F = Es).
i1F	<i>Function of the digital Input</i>	EAL = external alarm; OFF = unused; bAL = serious external alarm; Es = Energy saving mode Start/Stop; onF = switch the device ON/OFF externally; C-H = reverse the control effect
i1P	<i>Polarity of the digital input</i>	CL: active with closed contact OP: active with opened contact
did	<i>Alarm delay time of the digital input (0...120 min)</i>	For i1F = EAL or i1F = bAL. The corresponding alarm then takes place display or message.

Miscellaneous

Adr	<i>Serial address RS485 (1...247)</i>	Address for XJ500 recording system. Identifies the device if it is linked into a ModBUS-compatible system.
OnF	<i>Set device to STAND-BY</i>	no = not possible via keyboard yes = STAND-BY can be activated by holding down the SET button for at least 4 sec. If you want to change the set-value, hold down the SET button for approx. 2 sec.
Ptb	<i>Number of the parameter- table</i>	only read-out value
rEL	<i>Version</i>	only read-out value
Pr2	<i>Display of the parameters in Level Pr2</i>	display only



NOTE

You can access hidden parameters by holding down the keys SET + ▼ for 3 sec in the programming level HY. The message Pr2 appears.

2.6 Controlling the loads

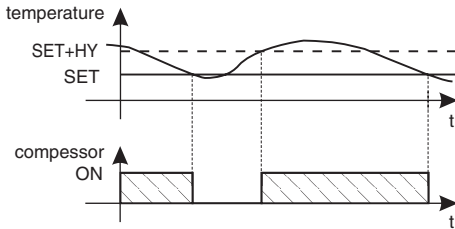
CONTROLLER OUTPUT

The control is dependent on the measurement temperature (= sensor temperature). Program the control direction (heating or cooling) with the parameters S1C and S2C.

S1C = dir → Cooling
 S1C = in → Heating

Set =	Set-value
Hy =	Switch hysteresis

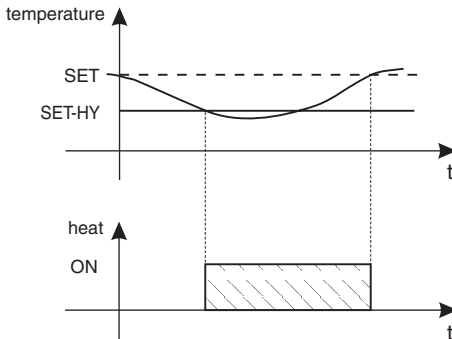
COOLING



Parameter S1C = dir; The value HY has been preset to 2K in the factory.

If the temperature exceeds the value SET + HY, the compressor is switched on and will be switched off again when the temperature falls below SET.

HEATING



Parameter S1C = in; The value HY has been preset to 2 K in the factory.

If the temperature falls below the value SET-HY, the controller output will be switched on and will be switched off again when SET is exceeded.

3 TECHNICAL DATA

- Housing ABS, self-extinguishing
- Dimensions Front 74 x 32 mm, Depth 60 mm
- Assembly Panel-mounting unit for 29 x 71 mm cutout
- Protection class IP65 from front, only with front seal RG-C
IP20
- Connections Screw terminals
- Pipe cross-section $\leq 2.5 \text{ mm}^2$
- Auxiliary energy depending on model
12...24 V AC/DC; $\pm 10\%$
230 V AC; $\pm 10\%$; 50/60 Hz
optional 110 V AC; $\pm 10\%$; 50/60 Hz
- Power consumption max. 3 VA
- Display $3\frac{1}{2}$ digits, red LED, height 12 mm
- Inputs configurable NTC / PTC or
NTC / PTC / Pt100 / Thermoelement J, K, S
or 4... 20 mA / 0...1 V / 0...10 V
- Relay outputs 2 x NO 8(3) A, 250 V AC + 1 x NC
- Data memory EEPROM
- Ambient temperature 0...+60°C / +32...+140°F
- Storage temperature -30...+85°C / -22...+185°F
- Air humidity 20...85% (non-condensing)
- Measurement range according to sensor
- Resolution 0.1°C or 1°F
- Accuracy at +25 °C better than 0.5% of the limit value of the
measurement range

4 ASSEMBLY, INSTALLATION AND COMMISSIONING

4.1 General information regarding the installation and operation



ATTENTION!

- Do not lay cables for inputs next to lines carrying voltage.
- Avoid heavy vibrations, aggressive gases, heavy soiling and damp.



NOTE

- Before connecting the device, check that the power supply corresponds to the values shown on the rating plate.
- Observe the maximum loading of the relay contacts (see **Technical data**).
- Ensure that you install all sensors with sufficient separation from lines carrying voltage, in order to avoid incorrect temperature measurements and to protect the device from voltage interference over the sensor inputs.

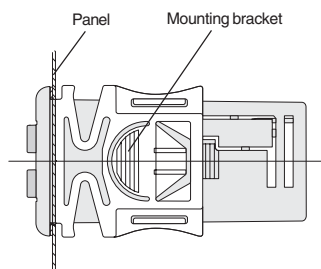
4.2 Assembly

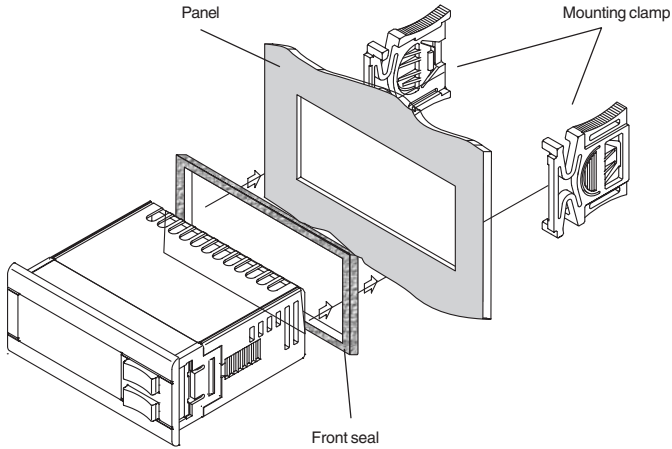
The device is designed for panel mounting in a cutout of 71 x 29 mm, and is secured with mounting brackets.

In order to ensure the IP65 front protection, a rubber seal must be fitted behind the front frame (optional with RG-C).

The ambient temperature for trouble-free operation is in the range from 0 ... +60°C.

→ Ensure sufficient ventilation through the cooling slots.





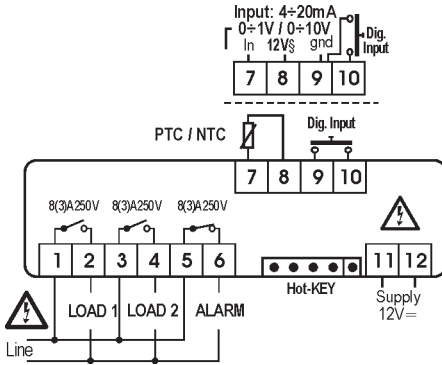
4.3 Electrical connections

- Use cable with a cross-section of max. 2.5 mm². The device is provided with the corresponding screw terminals.
- Check the auxiliary energy before you connect the power supply (see **Technical data**).
- Do not load the relay contacts higher than permitted. Where necessary, make use of a contactor.

MAN 1000050149 ML Version: D Status: RL (released | freigegeben) printed: 01.12.2009

PIN ASSIGNMENT

12 V AC/DC or 24 V AC/DC



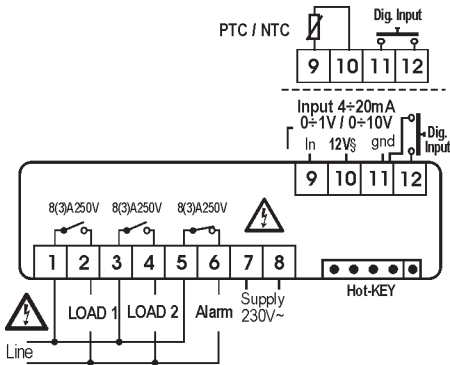
Standard signal input: 0...1 V; 0...10 V = 7(+), 9(-)
4...20 mA = 7(+), 9(-)

Thermoelement J, K, S = 7(+)-9(-)

sensor: Pt100 = 7-9(8)

voltage supply: 24 V AC/DC = 11-12

230 V AC



Standard signal input: 0...1 V; 0...10 V = 9(+), 11(-)
4...20 mA = 9(+), 11(-)

Thermoelement J, K, S = 9(+)-11(-)

sensor: Pt100 = 9-11(10)

voltage supply: 230 V AC = 7-8

5**HOT-KEY function****DOWNLOAD (HOT-KEY → CONTROL DEVICE)**

Writing the stored parameter set of the HOT-KEY into the control device:

- Switch off the POWER SUPPLY to the controller, or set it to STAND-BY.
- Insert the HOT-KEY up to the stop in the marked position on the controller.
- Re-activate the controller.
- The default parameters of the HOT-KEY will be automatically written into the controller. During this time, the DoL message blinks in the display. The programming procedure is finished after 10 sec, and normal operation starts automatically with the new parameter set.
- The HOT-KEY can be removed.

The following messages are possible at the end of the data transfer:

- end for a correct data transfer
- err for a failed data transfer

In this case, switch off the power to the device in order to repeat the procedure. If you want to cancel the procedure, simply remove the HOT-KEY.

UPLOAD (CONTROL DEVICE HOT-KEY)

Writing the current default parameters of the control device into the HOT-KEY:

- Insert the HOT-KEY into the provided position when the controller is switched on again.
- Operate 1x with ▲. The message uPL is displayed.
- Press the SET1 button in order to start the data transfer. uPL starts to blink.
- You can remove the HOT-KEY again after about 10 seconds.

The following messages are possible at the end of the data transfer:

- end for a correct data transfer
- err for a failed data transfer

In this case, press the SET button again to repeat the procedure. If you want to cancel the procedure, remove the HOT-KEY.

6 FACTORY SETTING

PA ¹	Description	Range	Default	PE ²
SET1	Set-value 1	LS1 + US1	0	Pr1
SET2	Set-value 2	LS2 + US2	1	Pr1
HY1	Switch hysteresis 1	dependent on measurement range	-1	Pr1
HY2	Switch hysteresis 2	dependent on measurement range	-1	Pr1
LS1	Lowest set-value 1	Lower measurement range + SET1	min	Pr2
LS2	Lowest set-value 2	Lower measurement range + SET2	min	Pr2
US1	Largest set-value 1	Upper measurement range + SET1	max	Pr2
US2	Largest set-value 2	Upper measurement range + SET2	max	Pr2
S1C	Control effect Output 1	in = inverse; dir = direct	in	Pr2
S2C	Control effect Output 2	in = inverse; dir = direct	in	Pr2
ouc	Dependency of the set-values	ind = independent; diP = dependent	ind	
Ac	Delay time for the relay	0...250 sec	0	Pr2
on	Minimum switch-on time for a relay	0...250 sec	0	Pr2
ono	Minimum waiting time between two consecutive activations of the same load	0...120 min	0	Pr2
ALC	Alarm limits are absolute values or related to the set-value	rE = relative; Ab = absolute	rE	Pr2
ALL	Lower Alarm Limit (ALC = rE; ALC = Ab)	dependent on measurement range	10	Pr2
ALU	Upper Alarm Limit (ALC = rE; ALC = Ab)	dependent on measurement range	10	Pr2
ALH	Switch hysteresis for temperature alarms	dependent on measurement range	2	Pr2
ALd	Alarm delay time during the operation	0...999 min	15	Pr2
dAO	Alarm delay time after commissioning	0...23.5 h	1.3	Pr2

¹ Parameter

² Programming level

PA ¹	Description	Range	Default	PE ²
<i>So1</i>	Output 1 for sensor error	oFF = open; on = closed	oFF	Pr2
<i>So2</i>	Output 2 for sensor error	oFF = open; on = closed	oFF	Pr2
<i>tbA</i>	Alarm relay can be acknowledged	no; yES	yES	Pr2
<i>AS</i>	Polarity of the Alarm relay	CL...oP	oP	Pr2
<i>LC³</i>	Lower analog display value	depending on sensor	var.	Pr1
<i>UC³</i>	Upper analog display value	depending on sensor	var.	Pr1
<i>Opb</i>	Sensor calibration	depending on measurement range	0	Pr1
<i>rES</i>	Resolution	in = NO; dE = 0,1; cE = 0,01	in	Pr2
<i>UdM</i>	Units	Type TU: °C = °C, °F = °F; Type AU: 0 = °C, 1 = °F; 2 = RH, 3 = bar, 4 = PS, 5 = without display	var.	Pr1
<i>PbC</i>	Type of sensor	Pt = Pt100; J = tcJ; c = tck; S = tcS; Ptc = PTC; ntc = NTC; 0.1 = 0...1 V; 10 = 0...10 V; cur = 0...20 mA	var.	Pr1
<i>P3F</i>	PT100; 3-wire	no = no; yES = yes	no	Pr2
<i>i1F</i>	Configuration of the digital input	c-H / oFF / off / HES / EAL / bAL	EAL	Pr2
<i>i1P</i>	<i>Polarity of the digital input</i>	cL = closed; oP = open	cL	Pr2
<i>did</i>	Alarm delay of the digital input	0...120 min	0	Pr2
<i>Adr</i>	Serial address for XJ500	RS485 address	1	Pr2
<i>OnF</i>	Activate Standby function	no = no; oFF = active	no	Pr2
<i>Ptb</i>	Parameter table	Read value	-	Pr2
<i>rEL</i>	Software version	Read value	-	Pr2
<i>Pr2</i>	Parameter access to Pr2	<i>Read value</i>	321	Pr1

¹ Parameter

² Programming level

³ Only for devices with voltage and current input

7 MAINTENANCE

When operated in accordance with the instruction in this handbook, the 0911 controller is maintenance-free.

8 REPAIRWORK

8.1 Faults

ERROR MESSAGES

Message	Cause	Effect
<i>PF₀</i>	Sensor defective or not connected	Alarm relay ON; control circuit according to <i>So1</i>
<i>PF_C</i>	Sensor short-circuit	Alarm relay ON; control circuit according to <i>So1</i>
<i>HA</i>	High temperature alarm	Alarm relay ON; outputs remain unchanged
<i>LA</i>	Low temperature alarm	Alarm relay ON; Outputs remain unchanged
<i>EAL</i>	Digital input alarm	Outputs remain unchanged
<i>BAL</i>	Serious digital alarm	All control outputs deactivated

STATUS OF THE ALARM RELAY

Device status	AS = CL	AS = OP
Device without power	5 - 6 closed	5 - 6 closed
Normal operation	5 - 6 closed	5 - 6 open
Alarm situation during operation	5 - 6 open	5 - 6 closed

ACKNOWLEDGING ERRORS VIA THE KEYBOARD

→ Press any button.

The Alarm message remains on the display as long as the alarm conditions are present. The device then switches to normal operation.

AUTOMATIC ACKNOWLEDGEMENT OF THE ERROR

- Message *PFo and PFc* - Room sensor error
After approx. 30 seconds or once the error has been cleared, the message will be acknowledged automatically. Check the connections before any replacement of the sensor.
- Messages *HA/LA* - High/Low temperature alarm
The messages disappear automatically as soon as the normal temperature range is reached again or if defrosting starts.
- External alarms EAL and BAL are acknowledged after deactivation of the digital input.

3.2 Ordering table for basic unit/accessories

Article	Inputs	Order No.
3-stage controller 0911 12-24 V AC/DC	PTC/NTC; Pt100, Type J, K, S	788 267
3-stage controller 0911 12-24 V AC/DC	4-20 mA; 0-10 V; 0-1 V	788 268
3-stage controller 0911 230 V AC	PTC/NTC; Pt100, Typ J, K, S	788 269
3-stage controller 0911 230 V AC	4-20 mA; 0-10 V; 0-1 V	788 270
PTC sensor with 1.5 m cable, installation sleeve L = 62 mm D = 6 mm		781 969
Protective cover		787 937
Transformer 230 V / 24 V 3 VA		787 938

3-PUNKT-REGLER

TYP 0911

1	ALLGEMEINE HINWEISE	24
1.1	Darstellungsmittel	24
1.2	Sicherheitshinweise	24
1.3	Lieferumfang	25
1.4	Garantiebestimmungen	25
2	SYSTEMBESCHREIBUNG	26
2.1	Allgemeine Beschreibung	26
2.2	Bedienung	26
2.3	Vor der Installation	29
2.4	Regelung	30
2.5	Parameter	32
2.6	Regelung der Lasten	35
3	TECHNISCHE DATEN	36
4	MONTAGE, INSTALLATION UND INBETRIEBNAHME	37
4.1	Allgemeine Hinweise zu Installation und Betrieb	37
4.2	Montage	37
4.3	Elektrische Anschlüsse	38
5	HOT-KEY FUNKTION	40
6	WERKSEINSTELLUNG	41
7	WARTUNG	43
8	INSTANDHALTUNG	43
8.1	Störungen	43
8.2	Bestelltabelle Grundgerät/Zubehör	44

1**ALLGEMEINE HINWEISE****1.1****Darstellungsmittel**

In dieser Betriebsanleitung werden folgende Darstellungsmittel verwendet:
markiert einen Arbeitsschritt, den Sie ausführen müssen.

**ACHTUNG!**

kennzeichnet Hinweise, bei deren Nichtbeachtung Ihre Gesundheit oder die Funktionsfähigkeit des Gerätes gefährdet ist.

**HINWEIS**

kennzeichnet wichtige Zusatzinformationen, Tipps und Empfehlungen.

1.2**Sicherheitshinweise**

Bitte beachten Sie die Hinweise dieser Betriebsanleitung sowie die Einsatzbedingungen und zulässigen Daten, die in dem Datenblatt des Reglers 0911 spezifiziert sind, damit das Gerät einwandfrei funktioniert und lange einsetzbar bleibt.

- Halten Sie sich bei der Einsatzplanung und dem Betrieb des Gerätes an die allgemeinen Regeln der Technik!
- Installation und Wartungsarbeiten dürfen nur durch Fachpersonal und mit geeignetem Werkzeug erfolgen!
- Beachten Sie die geltenden Unfallverhütungs- und Sicherheitsbestimmungen für elektrische Geräte während des Betriebs und der Wartung des Gerätes!
- Achten Sie auf die bestimmungsgemäße Verwendung des Gerätes.
- Betreiben Sie das Gerät immer mit Gehäuse.
- Prüfen Sie vor dem Anschluß des Gerätes ob die Spannungsversorgung dem auf dem Gerät aufgedruckten Zahlenwert entspricht.
- Überprüfen Sie vor Einschalten des Gerätes den korrekten Anschluss.
- Beachten Sie die maximale Belastung der Relais-Kontakte (siehe technische Daten).
- Beachten Sie, dass alle Fühler mit genügend großem Abstand zu spannungsführenden Leitungen installiert werden. Damit werden verfälschte Temperatur-Messungen vermieden und das Gerät vor spannungseinstreuungen über die Fühlereingänge geschützt.
- Schalten Sie bei Anwendungen im industriellen Bereich mit kritischer Umgebung die RC-Gliedern parallel(FT1).
- Schalten Sie vor Eingriffen in das System in jedem Fall die Spannung ab!
- Treffen Sie geeignete Maßnahmen, um unbeabsichtigtes Betätigen oder unzulässige Beeinträchtigung auszuschließen!

- Beachten Sie die vorgeschriebenen Umgebungsbedingungen bzgl. deren Feuchte- und Temperatur-Grenzen. Werden diese Bedingungen nicht eingehalten sind Fehlfunktionen nicht auszuschliessen.
- Bei Auftreten einer Fehlfunktion oder Zweifeln wenden Sie sich an das zuständige Bürkert-Vertriebs-Center.

Bei Nichtbeachtung dieser Hinweise und unzulässigen Eingriffen in das Gerät entfällt jegliche Haftung unsererseits, ebenso erlischt die Garantie auf Geräte und Zubehörteile!

1.3 Lieferumfang

Überzeugen Sie sich unmittelbar nach Erhalt der Lieferung, ob der Inhalt mit dem angegebenen Lieferumfang übereinstimmt. Zu diesem gehören:

- 1 Regler Typ 0911
- 1 Betriebsanleitung (ggf. auf Datenträger)
- 1 Frontdichtung
- 2 Befestigungsbügel

Bei Unstimmigkeiten wenden Sie sich bitte umgehend an unser Kundencenter:

*Bürkert Steuer- und Regelungstechnik
Service-Abteilung
Chr.-Bürkert-Str. 13-17
D-76453 Ingelfingen
Tel. : 07940-10111*

oder an Ihr Bürkert-Vertriebs-Center.

1.4 Garantiebestimmungen

Bürkert gewährt auf die ordnungsgemäße Funktion des Regler eine Garantie von einem Jahr unter der Voraussetzung, dass das Gerät bestimmungsgemäß und unter Beachtung der spezifizierten Einsatzbedingungen verwendet wird.

Bei nicht einwandfreier Funktion wird das betreffende Gerät innerhalb der Garantiefrist kostenlos repariert bzw. ausgetauscht.



ACHTUNG!

Die Gewährleistung erstreckt sich nur auf den Regler und seine Bauteile, jedoch nicht auf Folgeschäden irgendwelcher Art, die durch Ausfall oder Fehlfunktion des Gerätes entstehen könnten.

2 SYSTEMBESCHREIBUNG

2.1 Allgemeine Beschreibung

3-Punkt- bzw. Neutralzonenregler, 74 x 32 mm, mit vorgebbarer Regelwirkung (z.B. Heizen/Kühlen oder Befeuchten/Entfeuchten)

Folgende Ausführungen sind verfügbar:

Typ	Konfigurierbarer Eingang	Parameter UDM (Anzeigeeinheit vorgeben)
TU Temperaturregler	PTC, NTC, Pt100 Thermoelemente J, K, S	UDM = °C UDM = °F
AU Regelgerät mit Strom-/Spannungseingang	4 ... 20 mA 0 ... 1 V 0 ... 10 V	0 = °C; 1 = °F 2 = % RH 3 = bar 4 = PSI 5 = ohne Maßeinheit

2.2 Bedienung






TASTEN

- SET1 Anzeige des Sollwertes 1
 Ändern und Bestätigen einer Vorgabe während der Programmierphase
- SET2 Anzeige des Sollwertes 2


TASTENKOMBINATIONEN

- ▲ + ▼ Tastatur verriegeln und entriegeln
- SET1+ ▼ Programmiererebene auswählen
- SET1+ ▲ Zurück zur Raumtemperatur-Anzeige


LED-MELDUNGEN

LED	Mode	Bedeutung
	ein	Ausgang 1 aktiv
	ein	Ausgang 2 aktiv
LED1	blinkt	Programmiererebene (blinkt zusammen mit LED2)
LED2	blinkt	Programmiererebene (blinkt zusammen mit LED1)
E.S.	ein	Energiesparmodus (zweiter Sollwert) wurde über digitalen Eingang aktiviert.
Alarm LED 	ein	- Signalisierung eines Alarm-Zustandes - Befindet man sich in der tieferen Programmiererebene "Pr2", die nur mit Passwort erreichbar ist, wird durch das Leuchten der Alarm-LED signalisiert, daß der angezeigte Parameter auch in der ersten Ebene "Pr1" (ohne Passwort) erreichbar ist.

GERÄT EIN/AUS-SCHALTEN

- SET1  → Halten Sie die SET1-Taste mindestens 4 sec gedrückt (Nur bei Parameter OnF = yes).

SOLLWERT ANZEIGEN

- SET  → Betätigen Sie einmal kurz die SET-Taste. Die Sollwertanzeige erscheint am Display.
- Betätigen Sie nochmals kurz die SET-Taste oder warten Sie 5 sec, um die Raumtemperatur anzeigen zu lassen.

SOLLWERT 1 / SOLLWERT 2 ÄNDERN

- Halten Sie eine SET-Taste 2 sec gedrückt.
- Ändern Sie den Sollwert innerhalb von 10 sec mit den Tasten ▲ bzw. ▼.
- Sie speichern den neuen Sollwert durch kurzes Betätigen der SET-Taste oder warten Sie 10 sec.

PROGRAMMIEREBENE BETRETEN

- Halten Sie die Tasten SET1 + ▼ mindestens 3 sec gedrückt.
- Wählen Sie mit ▲ Pr2 an und bestätigen danach mit der SET1 Taste.
- Geben Sie das Passwort 321 vor und bestätigen danach mit der SET1-Taste.
 - ▲ die "3" vorgeben, danach 1 x SET1-Taste
 - ▲ die "2" vorgeben, danach 1 x SET1-Taste
 - ▲ die "1" vorgeben, danach 1 x SET1-TasteSie befinden sich in der Parameterliste.

ANWENDEREBENE PR1

- Drücken Sie die Tasten SET1 + ▼ für 3 sec. PR1 beinhaltet alle für den Anwender erreichbaren Parameter. Das Gerät zeigt den ersten Parameter an, der in der Anwenderebene verfügbar ist.

SERVICE-EBENE PR2 (PASSWORT 321)

- Siehe: *Programmierebene betreten.*

PARAMETER IN ANWENDEREBENE PR1 HINZUFÜGEN / ENTFERNEN

- Programmiererebene betreten
- Der Status ist mit den Tasten SET1 + ▼ veränderbar.

Wenn ein Parameter in der PR1-Ebene sichtbar ist, wird dies durch ein LED-Punkt angezeigt.

PARAMETER-VORGABEN ÄNDERN



- Geben Sie mit SET + ▼ oder ▲ einen gewünschten Wert vor.
- Bestätigen Sie danach mit der SET-Taste.
- Wählen Sie mit ▼ oder ▲ einen gewünschten Parameter an.



HINWEIS

Allein durch mehrmaliges Betätigen der SET1-Tasten können alle Parameterwerte eingesehen werden.

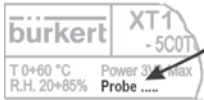
TASTATUR VER- BZW. ENTRIEGELN



- Halten Sie die Tasten ▲ und ▼ für 3 sec gedrückt. Am Display erscheint die Meldung POF. **Die Tastatur ist verriegelt.** Die POF-Meldung erscheint auch, wenn Sie eine Taste länger als 3 sec gedrückt halten.
- **Die Tastatur ist entriegelt**, wenn Sie die Tasten ▲ und ▼ für 3ec s gedrückt halten. Für einige Sekunden erscheint POn in der Anzeige.

2.3 Vor der Installation

FÜHLERTYP VORGEBEN



Auf dem Etikett des Reglers ist der konfigurierbare Eingangstyp vermerkt. Geben Sie den Eingangstyp bitte vor, wenn dieser nicht dem angeschlossenen Fühlertyp entspricht.



- Halten Sie die Tasten SET + ▼ 3 Sekunden gedrückt.
- Wählen Sie den Parameter Pbc (Fühlertyp) an, und bestätigen Sie danach mit der SET-Taste, um die aktuelle Vorgabe zu sehen.
- **Typ TU (Temperaturregler):**
 - J = Thermoelement J; Pt = Pt100;
 - C = Thermoelement K; Ptc = PTC;
 - S = Thermoelement S; ntc = NTC
- **Typ AU (Regelgeräte mit Strom-/Spannungseingang):**
 - cur = 4...20 mA; 0-1 = 0...1 V; 10 = 0...10 V
- Bestätigen Sie die Vorgabe mit der SET-Taste.
- Schalten Sie das Gerät kurz stromlos.

MESSWERTGRENZEN DER FÜHLERTYPEN

Fühler	Untere Grenze	Obere Grenze
NTC	-40°C	110°C
PTC	-50°C	150°C
Pt100	-200°C	600°C
TcK	0°C	1300°C
TcJ	0°C	600°C
TcS	0°C	1400°C

deutsch

MAN 1000050149 ML Version: D Status: PL (released) freigegeben printed: 01.12.2009

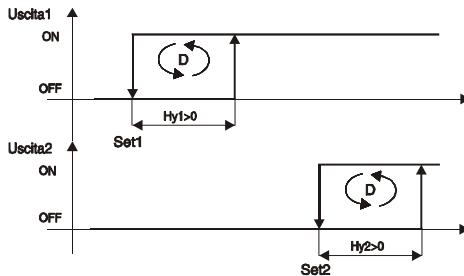
2.4 Regelung

ZWEI VONEINANDER UNABHÄNGIGE AUSGÄNGE (OUC = IND)

Beispiel:

Vorgabe der Sollwerte SET1 = 50°C und SET2 = 20°C. Bei Parametervorgabe OUC = ind sind beide Sollwerte völlig unabhängig voneinander. Außerdem muß die Regelwirkung vorgegeben werden. Für das Regelrelais Nr. 1 Par. S1C = in (Heizen, Befeuchten, etc.) oder S1C = dir (Kühlen, Entfeuchten, etc.). Für das Regelrelais Nr. 2 ebenfalls vorgeben (S2C = in oder S2C = dir).

Beispiel: ouC = ind, S1c = dir, S2c = dir



ZWEI VONEINANDER ABHÄNGIGE AUSGÄNGE (OUC = DIP)

3 PUNKT-REGLER

Beispiel:

Vorgabe des Sollwertes SET1 = 50 °C (für Regelrelais Nr. 1). Danach Vorgabe einer Zahl bei SET2 = 5 Kelvin (Delta-Wert). Als Sollwert ergibt sich dann SET2 = 55 °C (SET2 = SET1 + Delta-SET2). Wird danach der SET1 z.B. um 2 Kelvin erhöht auf 52°C, erhöht sich im selben Maß der SET2, also ebenfalls um 2 Kelvin auf 57°C. Den Wirksinn der Ausgänge ebenfalls über die Parameter S1C und S2C festlegen. Analog ergeben die Sollwertvorgabegrenzen für SET2 aus LS2 = SET1 -Delta-LS2 und HS2 = +Delta-HS2.

NEUTRALZONEN-REGLER

Beispiel:

Vorgabe des Sollwert SET1 = 50°C (für Regelrelais Nr. 1). Um eine Neutralzonen-Regelverhalten zu konfigurieren immer vorgeben:
SET2 = 0 Kelvin; LS2 = 0 und US2 = 0.

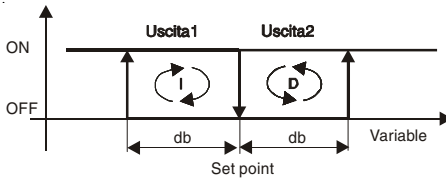
Funktion des Relais 1 (im nachstehenden Bild "uscita1") konfigurieren:
S1C = in (Heizen) und Hy1 = -2 Kelvin).

Funktion des Relais 2 (im nachstehenden Bild "uscita2") konfigurieren:
S2C = dir (Kühlen) und Hy2 = +2 Kelvin).

Ergebnis (siehe nachstehendes Bild):

SET1 = Set Point; db = Hy1 = Hy2

Bei unterschreiten der Neutralzone SET1 - Hy1 wird geheizt (Relais 1 aktiviert) bis wieder der Sollwert SET1 erreicht wird. Übersteigt die Raumtemperatur die Neutralzone SET1 + Hy2 wird Relais 2 aktiviert (Kühlen) und genau bei SET1 wieder abgeschaltet.



HINWEIS

In Hy1 und Hy2 können auch unterschiedliche Werte vorgeben werden. Damit lässt sich der Abschaltzeitpunkt innerhalb der Neutralzone verändern!

2.5 Parameter

Regelung

Hy1	<i>Hysterese 1</i>	Schalthysterese des Sollwerts 1 mit positiven oder negativen Werten. Der Vorgabebereich ist abhängig vom Eingangstyp. Der Parameter darf nicht mit Null vorgegeben werden. Die Regelwirkung wird mit S1C vorgegeben.
Hy2	<i>Hysterese 2</i>	Schalthysterese des Sollwerts 2 mit positiven oder negativen Werten (wie Hy1). Die Regelwirkung wird mit S2C vorgegeben.
LS1	<i>Niedrigste SollwertEinstellung</i>	Sollwertgrenzen 1 für Bediener
LS2	<i>Niedrigste SollwertEinstellung</i>	Sollwertgrenzen 2 für Bediener
US1	<i>Höchste SollwertEinstellung</i>	Sollwertgrenzen 1 für Bediener
US2	<i>Höchste SollwertEinstellung</i>	Sollwertgrenzen 2 für Bediener
S1C	<i>Regelwirkung 1</i>	in = invers (Heizen, Befeuchten) dir = direkt (Kühlen, Entfeuchten)
S2C	<i>Regelwirkung 2</i>	in = invers (Heizen, Befeuchten) dir = direkt (Kühlen, Entfeuchten)
AC	<i>Mindestausschaltdauer</i>	0...250 sec Relais-Ausschaltdauer
ouc	<i>Abhängigkeit der Sollwerte</i>	diP = abhängig ind = unabhängig
on	<i>Mindesteinschaltdauer</i>	0...250 sec Relais-Einschaltdauer
ono	<i>Mindestverzögerung</i>	0...120 min; Mindestverzögerung zwischen zwei Aktivierungen des Regelrelais.

Alarme

ALC	<i>Konfiguration Temperatur-Alarm</i>	rE = relativ zum Sollwert (in Kelvin) Ab = absolute Werte (in °C)
ALL	<i>Alarm-Tieftemperatur</i>	Bei unterschreiten von SET - ALL wird ein Tieftemperatur-Alarm nach Verzögerungszeit ALd ausgelöst.
ALU	<i>Alarm-Übertemperatur</i>	Bei überschreiten von SET + ALU wird ein Hochtemperatur-Alarm nach Verzögerungszeit ALd ausgelöst.
ALd	<i>Alarm-Verzögerung bei Temperatur Über-/Unterschreitung</i>	0...999 min; Mindestzeit, in der die Bedingungen für eine Alarm-Situation gegeben sein müssen.

Alarme

ALH	<i>Hysterese für die Grenzwertalarmlerme ALL und ALU</i>	Automatische Alarmquittierung: Bei Hochalarm unterschreiten von ALU - ALH und bei Tiefalarm bei überschreiten von ALL + ALH
dAO	<i>Alarm-Verzögerung bei Netz EIN</i>	0...23,5 Stunden; Unterdrückung von Alarmen nach Inbetriebnahme.
So1	<i>Status des Regelrelais 1 bei Fühlerfehler</i>	oFF = geöffnet on = geschlossen
So2	<i>Status des Regelrelais 2 bei Fühlerfehler</i>	oFF = geöffnet on = geschlossen
tbA	<i>Status des Alarmrelais nach dem Quittieren bei einer Alarmsituation</i>	oFF = Relais deaktiviert on = Relais aktiviert
AS	<i>Konfiguration des Alarm-Relais bei einem Alarm</i>	cL = Klemme 5-6 geschlossen oP = Klemme 5-6 geschlossen

Messwert-Anzeige

LCI	<i>Unterer analoger Anzeigewert (-1999...1999)</i>	Scalierung des unteren Anzeigewert bei Stromeingang 4 mA oder bei Spannungseingang 0 V (nur bei den Eingängen 0-20 mA, 0-1V, 0-10 V)
UCI	<i>Oberer analoger Anzeigewert (-1999...1999)</i>	Scalierung des oberen Anzeigewert bei Stromeingang 20 mA oder bei Spannungseingang 1 V und 10 V (nur bei den Eingängen 0-20 mA, 0-1V, 0-10 V)
OPb	<i>Kalibrierung des Fühlers</i>	abhängig vom Messbereich
rES	<i>Auflösung</i>	in = nur Ganze Zahlen dE = auch Zehntelwerte ce = Hundertstelwerte
UdM	<i>Maßeinheit</i>	Anzeige der Maßeinheit direkt im Leuchtdisplay. Abhängig davon, welcher Reglertyp verwendet wird: siehe <i>Allgemeine Beschreibung</i>
PbC	<i>Fühlerart Temperaturfühler (TU): Strom/Spannungseingang (AU)</i>	Eingangasart J = Thermoelement "J"; Pt = Pt100; C = Thermoelement "K"; Ptc = PTC; S = Thermoelement "S"; ntc = NTC cur = 4...20 mA; 0-1 = 0...1 V; 10 = 0...10 V
P3F	<i>Dritte Klemme eines Pt100-Fühlers</i>	(falls vorhanden) no = Pt100 2-Leiter verdrahtet yES = Pt100 3-Leiter verdrahtet

Digitale Eingänge

HES	<i>Temperatur-Erhöhung/ Senkung</i>	Sollwert wird um HES erhöht/gesenkt während der Energiesparphase Aktivierung über digitalen Eingang (i1F = Es).
i1F	<i>Funktion des digitalen Eingangs</i>	EAL = externer Alarm; AUS = ungenutzt; bAL = ernsthafter externer Alarm; Es = Energiesparmodus starten/stoppen; onF = von extern das Gerät EIN/AUS schalten; C-H = Regelwirkung umdrehen
i1P	<i>Polarität des digitalen Eingangs</i>	CL: aktiv bei geschlossenem Kontakt OP: aktiv bei geöffnetem Kontakt
did	<i>Alarmverzögerungszeit des digitalen Eingangs (0...120 min)</i>	Bei i1F = EAL oder i1F = bAL. Danach erfolgt die entsprechende Alarmanzeige bzw. Meldung.

Sonstiges

Adr	<i>Serielle Adresse RS485 (1...247)</i>	Adresse für XJ500 Aufzeichnungssystem. Identifiziert das Gerät, wenn es in einem ModBUS kompatiblen System eingebunden ist.
OnF	<i>Gerät in STAND-BY setzen</i>	no = nicht über Tastatur möglich yes = STAND-BY aktivierbar durch Gedrückthalten der SET-Taste von mindestens 4 sec. Möchte man den Sollwert ändern, die SET-Taste ca. 2 sec gedrückt halten.
Ptb	<i>Nummer der Parameter-tabelle</i>	nur Auslesewert
rEL	<i>Version</i>	nur Auslesewert
Pr2	<i>Anzeige der Parameter in Ebene Pr2</i>	nur Anzeige



HINWEIS | **Versteckte Parameter** erreichen Sie, wenn Sie in der Programmierenebene HY die Tasten SET + ▼ für 3 sec gedrückt halten. Es erscheint die Meldung Pr2.

2.6 Regelung der Lasten

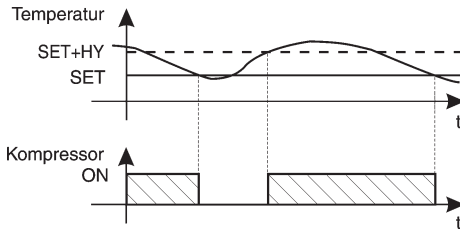
REGLER-OUTPUT

Die Regelung ist abhängig von der Mess-Temperatur (= Fühler-Temperatur). Den Wirksinn (Heizen oder Kühlen) programmieren Sie mit den Parametern S1C und S2C.

S1C = dir → Kühlen
S1C = in → Heizen

Set =	Sollwert
Hy =	Schalthysterese

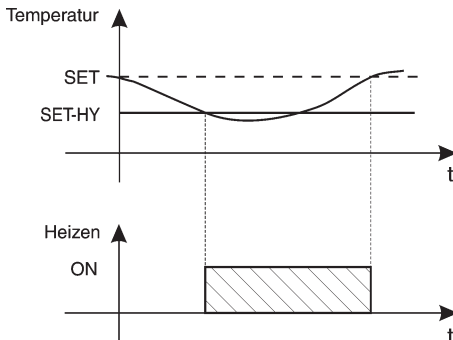
KÜHLEN



Parameter S1C = dir; Der Wert HY ist im Werk auf 2 K voreingestellt.

Überschreitet die Temperatur den Wert SET + HY, wird der Kompressor eingeschaltet und bei Unterschreitung von SET wieder abgeschaltet.

HEIZEN



Parameter S1C = in; Der Wert HY ist im Werk auf 2 K voreingestellt.

Unterschreitet die Temperatur den Wert SET - HY, wird der Regler-Output eingeschaltet und bei Überschreitung von SET wieder abgeschaltet.

3 TECHNISCHE DATEN

- Gehäuse ABS, selbstverlöschend
- Abmessungen Front 74 x 32 mm, Tiefe 60 mm
- Montage Tafel einbaugerät für Ausschnitt 29 x 71 mm
- Schutzart IP65 von vorn, nur mit Frontdichtung RG-C IP20
- Anschlüsse Schraubklemmen
- Leitungsquerschnitt $\leq 2,5 \text{ mm}^2$
- Hilfsenergie je nach Ausführung
12...24 V AC/DC; $\pm 10\%$
230 V AC; $\pm 10\%$; 50/60 Hz
optional 110 V AC; $\pm 10\%$; 50/60 Hz
max. 3 VA
- Leistungsaufnahme
- Anzeige $3\frac{1}{2}$ Ziffern, LED rot, Höhe 12 mm
- Eingänge konfigurierbar NTC / PTC oder
NTC / PTC / Pt100 / Thermoelement J, K, S
oder 4... 20 mA / 0...1 V / 0...10 V
- Relais-Ausgänge 2 x SCHLIESSER 8(3) A, 250 V AC + 1 x NC
- Daten-Speicher EEPROM
- Umgebungstemperatur 0...+60°C / +32...+140°F
- Lagertemperatur -30...+85°C / -22...+185°F
- Luftfeuchtigkeit 20...85% (nicht kondensierend)
- Messbereich gemäß Fühler
- Auflösung 0,1°C oder 1°F
- Genauigkeit bei + 25 °C besser als 0,5% des Messbereichsendwertes

4 MONTAGE, INSTALLATION UND INBETRIEBNAHME

4.1 Allgemeine Hinweise zu Installation und Betrieb



ACHTUNG!

- Verlegen Sie die Kabel von Eingängen getrennt von spannungsführenden Leitungen.
- Vermeiden Sie starke Vibration, aggressive Gase, starke Verschmutzung und Feuchtigkeit.



HINWEIS

- Prüfen Sie vor Anschluss des Gerätes, ob die Spannungsversorgung den auf dem Typenschild angegebenen Werten entspricht.
- Beachten Sie die maximale Belastung der Relaiskontakte (siehe **Technische Daten**).
- Beachten Sie, dass Sie alle Fühler mit genügend großem Abstand zu spannungsführenden Leitungen installieren, damit fehlerhafte Temperaturmessungen vermieden werden und das Gerät vor Spannungseinstreuung über die Fühler-Eingänge geschützt wird.

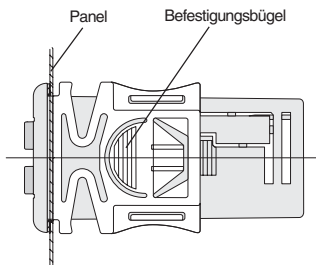
4.2 Montage

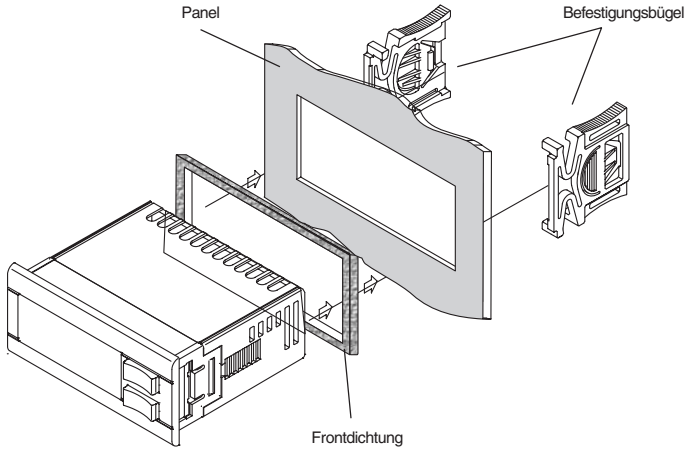
Das Gerät ist für Tafelbau auf einen Ausschnitt von 71 x 29 mm konzipiert und wird mit Befestigungsbügeln fixiert.

Um die Frontschutzart IP65 zu gewährleisten, muss eine Gummidichtung hinter dem Frontrahmen gelegt werden (RG-C optional).

Die Umgebungstemperatur für den einwandfreien Betrieb liegt im Bereich von 0...+60°C.

→ Sichern Sie eine ausreichende Belüftung durch die Kühlschlitze.



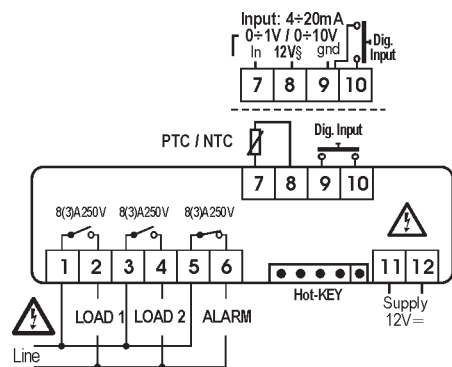


4.3 Elektrische Anschlüsse

- Verwenden Sie Kabel mit einem Querschnitt von maximal 2,5 mm². Das Gerät ist mit entsprechenden Schraubklemmen versehen.
- Prüfen Sie die Hilfsenergie, bevor Sie die Spannungsversorgung anschließen (siehe **Technische Daten**).
- Belasten Sie die Relais-Kontakte nicht mit höheren Leistungen, als zulässig. Schalten Sie gegebenenfalls Schütze nach.

ANSCHLUSSBELEGUNG

12 V AC/DC oder 24 V AC/DC



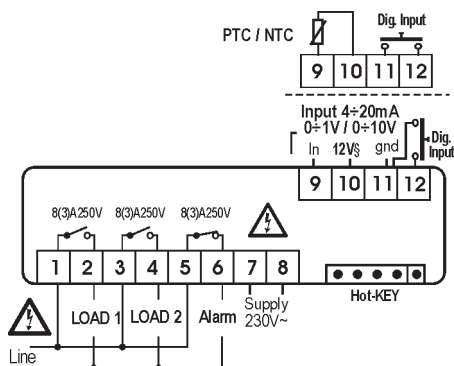
Normsignaleingang: 0...1 V; 0...10 V = 7(+), 9(-)
4...20 mA = 7(+), 9(-)

Thermoelement J, K, S = 7(+)-9(-)

Fühler: Pt100 = 7-9(8)

Spannungsversorgung: 24 V AC/DC = 11-12

230 V AC



Normsignaleingang: 0...1 V; 0...10 V = 9(+), 11(-)
4...20 mA = 9(+), 11(-)

Thermoelement J, K, S = 9(+)-11(-)

Fühler: Pt100 = 9-11(10)

Spannungsversorgung: 230 V AC = 7-8

5**HOT-KEY Funktion****DOWNLOAD (HOT-KEY → REGELGERÄT)**

Schreiben des gespeicherten Parametersatzes des HOT-KEY in das Regelgerätes:

- Schalten Sie den Regler STROMLOS oder setzen Sie ihn in STAND-BY.
- Stecken Sie den HOT-KEY in die markierte Position am Regler bis zum Anschlag.
- Aktivieren Sie den Regler wieder.
- Die Parametervorgaben des HOT-KEY werden automatisch in den Regler geschrieben. Während dieser Zeit blinkt die Meldung DoL in der Anzeige. Nach 10 sec ist der Programmiervorgang beendet und der Normalbetrieb startet automatisch mit dem neuen Parametersatz.
- Der HOT-KEY kann entfernt werden.

Am Ende der Datenübertragung sind folgende Meldungen möglich:

- end für eine korrekte Datenübertragung
- err für eine gescheiterte Datenübertragung
Schalten Sie in diesem Fall das Gerät kurz stromlos, um den Vorgang zu wiederholen. Wenn Sie den Vorgang abbrechen möchten, entfernen Sie einfach den HOT-KEY.

UPLOAD (REGELGERÄT → HOT-KEY)

Schreiben der aktuellen Parametervorgaben des Regelgeräts in den HOT-KEY:

- Stecken Sie den HOT-KEY in die vorgesehene Position, wenn der Regler wieder eingeschaltet ist.
- Betätigen Sie 1x mit ▲. In der Anzeige steht die Meldung uPL.
- Betätigen Sie die SET1-Taste, um die Datenübertragung zu starten. uPL beginnt zu blinken.
- Sie können den HOT-KEY nach etwa 10 sec wieder entfernen.

Am Ende der Datenübertragung sind folgende Meldungen möglich:

- end für eine korrekte Datenübertragung
- err für eine gescheiterte Datenübertragung
In diesem Fall nochmals die SET-Taste betätigen, um den Vorgang zu wiederholen. Wenn Sie den Vorgang abbrechen möchten, entfernen Sie den HOT-KEY.

6 WERKSEINSTELLUNG

PA ¹	Beschreibung	Bereich	Vorgabe	PE ²
SET1	Sollwert 1	LS1 + US1	0	Pr1
SET2	Sollwert 2	LS2 + US2	1	Pr1
HY1	Schalthyserese 1	Abhängig vom Messbereich	-1	Pr1
HY2	Schalthyserese 2	Abhängig vom Messbereich	-1	Pr1
LS1	Kleinster Sollwert 1	Unterer Messbereich + SET1	min	Pr2
LS2	Kleinster Sollwert 2	Unterer Messbereich + SET2	min	Pr2
US1	Größter Sollwert 1	Oberer Messbereich + SET1	max	Pr2
US2	Größter Sollwert 2	Oberer Messbereich + SET2	max	Pr2
S1C	Regelwirkung Ausgang 1	in = invers; dir = direkt	in	Pr2
S2C	Regelwirkung Ausgang 2	in = invers; dir = direkt	in	Pr2
ouc	Abhängigkeit der Sollwerte	ind = unabhängig; diP = abhängig	ind	
Ac	Verzögerungszeit der Relais	0...250 sec	0	Pr2
on	Mindesteinschaltdauer eines Relais	0...250 sec	0	Pr2
ono	Mindestwartezeit zwischen zwei aufeinander folgenden Aktivierungen der selben Last	0...120 min	0	Pr2
ALC	Alarmgrenzen sind absolute Werte oder Sollwertbezogen	rE = relativ; Ab = absolut	rE	Pr2
ALL	Untere Alarmgrenze (ALC = rE; ALC = Ab)	Abhängig vom Messbereich	10	Pr2
ALU	Obere Alarmgrenze (ALC = rE; ALC = Ab)	Abhängig vom Messbereich	10	Pr2
ALH	Schalthyserese für Temperaturalarne	Abhängig vom Messbereich	2	Pr2
ALd	Alarmverzögerungszeit während des Betriebes	0...999 min	15	Pr2
dAO	Alarmverzögerungszeit nach Inbetriebnahme	0...23,5 h	1,3	Pr2

¹ Parameter

² Programmiererebene

PA ¹	Beschreibung	Bereich	Vorgabe	PE ²
So1	Ausgang 1 bei Fühlerfehler	oFF = offen; on = geschlossen	oFF	Pr2
So2	Ausgang 2 bei Fühlerfehler	oFF = offen; on = geschlossen	oFF	Pr2
tbA	Alarm-Relais quittierbar	no; yES	yES	Pr2
AS	Polarität des Alarm-Relais	CL...oP	oP	Pr2
LC ³	Unterer analoger Anzeigewert	Abhängig von Fühler	var.	Pr1
UC ³	Oberer analoger Anzeigewert	Abhängig von Fühler	var.	Pr1
Opb	Fühlerkalibrierung	Abhängig vom Messbereich	0	Pr1
rES	Auflösung	in = NO; dE = 0,1; cE = 0,01	in	Pr2
UdM	Maßeinheit	Typ TU: °C = °C, °F = °F; Typ AU: 0 = °C, 1 = °F; 2 = RH, 3 = bar, 4 = PS, 5 = ohne Anzeige	var.	Pr1
PbC	Fühlerart	Pt = Pt100; J = tcJ; c = tck; S = tcS; Ptc = PTC; ntc = NTC; 0.1 = 0...1 V; 10 = 0...10 V; cur = 0...20 mA	var.	Pr1
P3F	PT100; 3 Leiter	no = nein; yES = ja	no	Pr2
i1F	Konfiguration des digitalen Eingangs	c-H / oFF / Aus / HES / EAL / bAL	EAL	Pr2
i1P	<i>Polarität des digitalen Eingangs</i>	cL = geschlossen; oP = geöffnet	cL	Pr2
did	Alarmverzögerung des digitalen Eingangs	0...120 min	0	Pr2
Adr	Serielle Adresse für XJ500	RS485 Adresse	1	Pr2
OnF	Standby-Funktion aktivieren	no = nein; oFF = Aktiv	no	Pr2
Ptb	Parametertabelle	Lesewert	-	Pr2
rEL	Software-Version	Lesewert	-	Pr2
Pr2	Parameterzugang zu Pr2	Lesewert	321	Pr1

¹ Parameter

² Programmierenebene

³ Nur bei Geräten mit Strom- oder Spannungseingang

7 WARTUNG

Der Regler 0911 ist bei Betrieb entsprechend den in dieser Anleitung gegebenen Hinweisen wartungsfrei.

8 INSTANDHALTUNG

8.1 Störungen

FEHLERMELDUNGEN

Meldung	Ursache	Wirkung
<i>PFO</i>	Fühler defekt oder nicht angeschlossen	Alarm-Relais EIN; Regelrelais gemäß <i>So1</i>
<i>PFC</i>	Fühlerkurzschluss	Alarm-Relais EIN; Regelrelais gemäß <i>So1</i>
<i>HA</i>	Hochtemperatur-Alarm	Alarm-Relais EIN; Ausgänge bleiben unberührt
<i>LA</i>	Tieftemperatur-Alarm	Alarm-Relais EIN; Ausgänge bleiben unberührt
<i>EAL</i>	Digitaler Eingangsalarm	Ausgänge bleiben unberührt
<i>BAL</i>	Ernsthafter digitaler Alarm	Alle Regel-Ausgänge deaktiviert

STATUS DES ALARM-RELAIS

Gerätestatus	AS = CL	AS = OP
Gerät stromlos	5 - 6 geschlossen	5 - 6 geschlossen
Normalbetrieb	5 - 6 geschlossen	5 - 6 geöffnet
Alarmsituation während des Betriebes	5 - 6 geöffnet	5 - 6 geschlossen

FEHLER QUITTIEREN ÜBER DIE TASTATUR

→ Betätigen Sie eine beliebige Taste.

Die Alarm-Meldung bleibt in der Anzeige, solange die Alarmbedingungen bestehen. Danach geht das Gerät in den Normalbetrieb über.

AUTOMATISCHES QUITTIEREN DES FEHLERS

- Meldung *PFO* und *PFc* - Fehler Raum-Fühler
Nach ca. 30 sec bzw. nach Beseitigung der Fehler-Ursache wird die Meldung automatisch quittiert. Vor eventuellem Fühleraustausch die Anschlüsse überprüfen.
- Meldungen **HA/LA** - Hoch-/Tiefemperatur-Alarm
Die Meldungen erlöschen automatisch, sobald wieder der Normaltemperaturbereich erreicht wurde oder wenn eine Abtaugung startet.
- Externe Alarmer EAL und BAL sind nach Deaktivierung des digitalen Eingangs quittiert.

3.2 Bestelltabelle Grundgerät/Zubehör

Artikel	Eingänge	Best.-Nr
3-Punkt-Regler 0911 12-24 V AC/DC	PTC/NTC; Pt100, Typ J, K, S	788 267
3-Punkt-Regler 0911 12-24 V AC/DC	4-20 mA; 0-10 V; 0-1 V	788 268
3-Punkt-Regler 0911 230 V AC	PTC/NTC; Pt100, Typ J, K, S	788 269
3-Punkt-Regler 0911 230 V AC	4-20 mA; 0-10 V; 0-1 V	788 270
PTC-Fühler mit 1,5 m Kabel, Einbauhülse L = 62 mm D = 6 mm		781 969
Schutzabdeckung		787 937
Trafo 230 V / 24 V 3 VA		787 938

3 RÉGULATEUR PONCTUEL TYPE 0911

1	REMARQUES GÉNÉRALES	46
1.1	Symboles de représentation	46
1.2	Consignes de sécurité	46
1.3	Fourniture	47
1.4	Clauses de garantie	47
2	DESCRIPTION DU SYSTÈME	48
2.1	Description générale	48
2.2	Commande	48
2.3	Avant l'installation	51
2.4	Régulation	52
2.5	Paramètres	54
2.6	Régulation des charges	57
3	CARACTÉRISTIQUES TECHNIQUES	58
4	MONTAGE, INSTALLATION ET MISE EN SERVICE	59
4.1	Remarques générales sur l'installation et le service	59
4.2	Montage	59
4.3	Branchements électriques	60
5	FONCTION HOT-KEY	62
6	RÉGLAGE USINE	63
7	ENTRETIEN	65
8	MAINTENANCE	65
8.1	Pannes	65
8.2	Table de commande appareil de base/accessoires	66

1 REMARQUES GÉNÉRALES

1.1 Symboles de représentation

Les symboles de représentation suivants sont utilisés dans ces instructions de service:

→ marque une étape de travail à exécuter.

ATTENTION!

marque des instructions dont l'inobservation risque de porter atteinte à votre santé et à la fonctionnalité de l'appareil.

REMARQUE

|| marque des informations importantes additionnelles, des conseils et des recommandations.

1.2 Consignes de sécurité

⚠ Veuillez tenir compte des remarques de ces instructions de service de même que des conditions d'emploi et des données tolérées spécifiées dans la fiche technique du régulateur 0911 afin que l'appareil fonctionne parfaitement et reste longtemps en service.

- Tenez vous-en lors de la planification de l'emploi et du service de l'appareil aux règles générales de la technique!
- Les travaux d'installation et d'entretien ne doivent être exécutés que par un personnel qualifié muni de l'outillage approprié.
- Tenir compte des prescriptions de prévention des accidents et de sécurité concernant les appareils électriques pendant le service et l'entretien de l'appareil!
- Veiller à ce que l'appareil soit utilisé de manière conforme à sa destination.
- Toujours utiliser l'appareil avec son boîtier.
- Vérifier avant de brancher l'appareil si la tension d'alimentation correspond à celle figurant sur la plaque signalétique
- Vérifier que le branchement est correct avant d'enclencher l'appareil.
- Tenir compte de la charge maximale des contacts du relais (voir Caractéristiques techniques).
- Veiller à ce que tous les capteurs soient installés à une distance suffisante des lignes conductrices de tension. Ainsi seront évitées des mesures erronées de température et l'appareil sera protégé de perturbations de tension provenant des entrées de capteur.
- Brancher les circuits RC en parallèle (FT1) lors d'applications en milieu industriel dans un environnement critique.
- Toujours couper la tension avant d'intervenir dans le système!
- Prendre les mesures appropriées pour exclure toute commande involontaire ou préjudice inadmissible!

- Tenir compte des conditions ambiantes prescrites concernant les limites d'humidité et de température. Si ces conditions ne sont pas observées, des dysfonctionnements ne sont pas exclus.
- En cas de dysfonctionnement ou de doute, s'adresser au centre de distribution Bürkert compétent.

Nous déclinons toute responsabilité en cas d'inobservation de ces instructions et d'interventions non autorisées dans l'appareil. Tout droit à la garantie est également annulé sur les appareils et les accessoires!

1.3 Fourniture

S'assurer immédiatement après réception de la fourniture si le contenu est conforme à ce qui a été indiqué. Font partie de celle-ci:

- le régulateur type 0911
- des instructions de service (évent. sur support de données)
- un joint frontal
- 2 Etrier de fixation

En cas de litiges, veuillez vous adresser sans délai à notre centre client:

*Bürkert Steuer- und Regelungstechnik
Service-Abteilung
Chr.-Bürkert-Str. 13-17
D-76453 Ingelfingen*

Tél. : 07940-10111

ou à votre centre de distribution Bürkert.

1.4 Clauses de garantie

Bürkert accorde sur le fonctionnement correct du régulateur une garantie d'un an à condition que l'appareil soit utilisé conformément à sa destination et en tenant compte des conditions spécifiques d'emploi.

En cas de défaut de fonctionnement de l'appareil pendant la période de garantie, il sera réparé ou échangé gratuitement.



ATTENTION!

La prestation de garantie ne couvre que le régulateur et ses composants, mais pas les dégâts consécutifs de nature quelconque susceptibles de survenir à la suite d'un dysfonctionnement ou d'une panne.

2 DESCRIPTION DU SYSTÈME

2.1 Description générale

Régulateur par plus ou moins ou de zone neutre, 74 x 32 mm, avec action de régulation définissable (p.ex. chauffer/refroidir ou humidifier/déshumidifier)

Les versions suivantes sont disponibles:

Type	Entrée configurable	Paramètre UDM (définir unité d'affichage)
TU Thermorégulateur	PTC, NTC, Pt100 Thermoéléments J, K, S	UDM = °C UDM = °F
AU Dispositif de régulation avec entrée courant/tension	4 ... 20 mA 0 ... 1 V 0 ... 10 V	0 = °C; 1 = °F 2 = % RH 3 = bars 4 = PSI 5 = sans unité de mesure

2.2 Maniement






TOUCHES

- SET1** Affichage de la valeur de consigne 1
Changer et valider une donnée allouée pendant la phase de programmation
- SET2** Affichage de la valeur de consigne 2


COMBINAISON DE TOUCHES

- ▲ + ▼ Verrouiller et déverrouiller le clavier
- SET1+ ▼ Sélectionner le niveau de programmation
- SET1+ ▲ Retour à l'affichage de la température ambiante


MESSAGES LED

LED	Mode	Signification
	allumée	Sortie 1 active
	allumée	Sortie 2 active
LED1	clignote	Niveau de programmation (clignote avec LED2)
LED2	clignote	Niveau de programmation (clignote avec LED1)
E.S.	allumée	Mode énergie (deuxième valeur de consigne) a été activé par entrée numérique.
Alar- me LED 	allumée	- Signalisation d'un état d'alarme - Si l'on se trouve au niveau de programmation plus pas "Pr2", seulement accessible par mot de passe. La LED d'alarme en s'allumant signale que le paramètre affiché est également accessible au premier niveau "Pr1" (sans mot de passe).

COMMUTER L'APPAREIL MARCHÉ/ARRÊT

- SET1  → Maintenir la touche SET1 pendant au moins 4 sec enfoncée (seulement avec paramètre OnF = yes).

AFFICHER VALEUR DE CONSIGNE

- SET  → Presser une fois brièvement la touche SET. La valeur de consigne apparaît sur l'afficheur.
- Presser encore une fois brièvement la touche SET ou attendre 5 sec. pour faire afficher la température.

MODIFIER VALEUR DE CONSIGNE 1 / VALEUR DE CONSIGNE 2

SET

- Maintenir une touche SET 2 s. enfoncée.
- Modifier la valeur de consigne dans les 10 s avec les touches ▲ ou ▼.
- Vous mémorisez la nouvelle valeur de consigne en pressant brièvement la touche SET ou attendre 10 s.

ACCÉDER AU NIVEAU DE PROGRAMMATION

SET1

- Maintenir les touches SET + ▼ au moins 3 s enfoncées
 - Sélectionner avec ▲ Pr2 et valider ensuite avec la touche SET1.
 - Définir le mot de passe 321 et valider ensuite avec la touche SET1.
 - ▲ Définir la „3“, puis 1 x la touche SET1
 - ▲ définir la „2“, puis 1 x la touche SET1
 - ▲ définir la „1“, puis 1 x la touche SET1
- Vous vous trouvez dans la liste des paramètres.

NIVEAU UTILISATEUR PR1

SET1

- Presser les touches SET1 + ▼ pendant 3 sec. PR1 contient tous les paramètres accessibles à l'utilisateur. L'appareil indique le premier paramètre disponible au niveau de l'utilisateur.

NIVEAU DE SERVICE PR2 (MOT DE PASSE 321)

SET1

- Voir: *accéder au niveau de programmation.*

AJOUTER / ENLEVER DES PARAMÈTRES AU NIVEAU UTILISATEUR PR1

SET1

- Accéder au niveau de programmation
- L'état peut être changé avec les touches SET1 + ▼.
Quand un paramètre est visible au niveau PR1, ceci est indiqué par un point LED.

MODIFIER LES PARAMÈTRES ALLOUÉS



- Définir avec SET + ▼ ou ▲ une valeur souhaitée.
- Valider ensuite avec la touche SET.
- Sélectionner avec ▼ ou ▲ un paramètre souhaité.



REMARQUE || Seul, en pressant plusieurs fois les touches SET1, toutes les valeurs paramétriques peuvent être consultées.

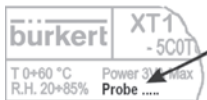
VERROUILLER ET DÉVERROUILLER LE CLAVIER



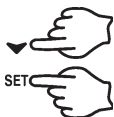
- Maintenir les touches ▼ et ▲ pendant 3 sec enfoncées. Le message POF apparaît sur l'afficheur. **Le clavier est verrouillé.** Le message POF apparaît aussi quand vous maintenez une touche plus de 3 sec enfoncée.
- **Le clavier est déverrouillé** quand vous maintenez les touches ▼ et ▲ pendant 3 sec enfoncées. POn apparaît pendant quelques secondes sur l'afficheur.

2.3 Avant l'installation

DÉFINIR TYPE DE CAPTEUR



Le type d'entrée configurable est marqué sur l'étiquette du régulateur. Définir le type d'entrée, si ce dernier ne correspond pas au type de capteur branché.



- Maintenir les touches SET + ▼ 3 secondes enfoncées
- Sélectionner le paramètre Pbc (type de capteur), et valider ensuite avec la touche SET pour voir la donnée allouée actuelle.
- **Type TU (thermorégulateur):**
J = Thermoélément J; Pt = Pt100;
K = Thermoélément K; Ptc = PTC;
S = Thermoélément S; ntc = NTC
- **Type AU (dispositifs de réglage avec entrée courant/tension):**
cur = 4...20 mA; 0-1 = 0...1 V; 10 = 0...10 V
- Valider la donnée allouée avec la touche SET.
- Commuter brièvement l'appareil hors courant.

LIMITES DES VALEURS DE MESURE DES TYPES DE CAPTEUR

Capteur	Limite inférieure	Limite supérieure
NTC	-40°C	110°C
PTC	-50°C	150°C
Pt100	-200°C	600°C
TcK	0°C	1300°C
TcJ	0°C	600°C
TcS	0°C	1400°C

MAN 1000050149 ML Version: D Status: PL (released) freigegeben printed: 01.12.2009

français

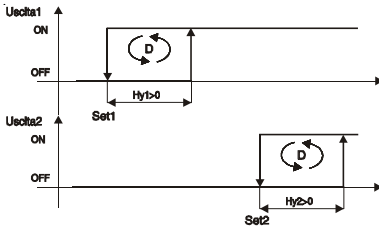
2.4 Régulation

DEUX SORTIES INDÉPENDANTES L'UNE DE L'AUTRE (OUC = IND)

Exemple:

Définition de la valeur de consigne SET1 = 50°C et SET2 = 20°C. Lors de la définition du paramètre OUC = ind, les deux valeurs de consigne sont totalement indépendantes l'une de l'autre. L'action de régulation doit, en outre, être définies. Pour le premier relais de régulation n° 1 Par. S1C = in (chauffer, humidifier, etc.) ou S1C = dir (refroidir, déshumidifier etc.). Définir aussi pour le relais de régulation n° 2 (S2C = in ou S2C = dir)..

Exemple: ouC = ind, S1c = dir, S2c = dir



DEUX SORTIES INDÉPENDANTES L'UNE DE L'AUTRE (OUC = DIP)

3 REGULATEUR PONCTUEL

Exemple:

Définition de la valeur de consigne SET1 = 50 °C (pour le relais de régulation n° 1). Allocation ensuite d'un chiffre pour SET2 = 5 Kelvin (valeur delta). On obtient alors, SET2 = 55 °C (SET2 = SET1 + Delta-SET2) comme valeur de consigne. Si, ensuite SET1 p.ex. s'élève de 2 Kelvin à 52°C, SET2 s'élève dans la même unité de mesure également de 2 Kelvin à 57°C. Fixer également le sens d'action des sorties par les paramètres S1C et S2C. De manière analogue, les limites de valeurs de consigne allouées donnent pour SET2 depuis LS2 = SET1 LS2 -Delta et HS2 = HS2+Delta.

REGULATEUR DE ZONE NEUTRE

Exemple:

Définition de la valeur de consigne SET1 = 50°C (pour le relais de régulation n° 1).
Pour configurer un comportement de régulation de zone neutre, toujours définir:
SET2 = 0 Kelvin; LS2 = 0 et US2 = 0.

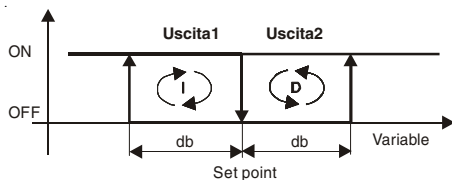
Configurer la fonction du relais 1 (sur la figure ci-après „uscita1“):
S1C = in (chauffer) et Hy1 = -2 Kelvin.

Configurer la fonction du relais 2 (sur la figure ci-après „uscita2“):
S2C = dir (refroidir) et Hy2 = +2 Kelvin).

Résultat (voir figure ci-après)

SET1 = Set Point; db = Hy1 = Hy2

Lors de non atteinte de la zone neutre SET1 - Hy1 est chauffé (relais 1 activé) jusqu'à ce que la valeur de consigne SET1 soit atteinte. Si la température ambiante dépasse la zone neutre SET1 + Hy2, le relais 2 est activé (refroidir) et il est mis hors circuit exactement à SET1.



REMARQUE

Des valeurs différentes peuvent aussi être définies dans Hy1 et Hy2. Le point de coupure se change ainsi à l'intérieur de la zone neutre!

2.5 Paramètres

Régulation

Hy1	<i>Hystérésis 1</i>	Hystérésis de commande de la valeur de consigne 1 avec des valeurs positives ou négatives. Le domaine d'allocation dépend du type d'entrée. La valeur zéro ne doit pas être allouée au paramètre. L'action de régulation est définie par S1C.
Hy2	<i>Hystérésis 2</i>	Hystérésis de commande de la valeur de consigne 2 avec des valeurs positives ou négatives (telle que Hy1). L'action de régulation est définie avec S2C.
LS1	<i>Réglage minimal de la valeur de consigne</i>	Limites de la valeur de consigne 1 pour l'opérateur
LS2	<i>Réglage minimal de la valeur de consigne</i>	Limites de la valeur de consigne 2 pour l'opérateur
US1	<i>Réglage maximal de la valeur de consigne</i>	Limites de la valeur de consigne 1 pour l'opérateur
US2	<i>Réglage maximal de la valeur de consigne</i>	limites de la valeur de consigne 2 pour l'opérateur
S1C	<i>Action de régulation 1</i>	in = invers (chauffer, humidifier) dir = direct (refroidir, déshumidifier)
S2C	<i>Action de régulation 2</i>	in = invers (chauffer, humidifier) dir = direct (refroidir, déshumidifier)
AC	<i>Durée de coupure minimale</i>	0...250 sec durée de coupure du relais
ouc	<i>Dépendance des valeurs de consigne</i>	diP = dépendant ind = indépendant
on	<i>Durée d'enclenchement minimale</i>	0...250 sec durée d'enclenchement du relais
ono	<i>Temporisation minimale</i>	0...120 min; temporisation minimale entre deux activations du relais de régulation.

Alarmes

ALC	<i>Configuration Alarme de température</i>	rE = relatif à la valeur de consigne (en Kelvin). Ab = valeur absolue (en °C)
ALL	<i>Température basse d'alarme</i>	En cas de non atteinte de SET - ALL, une alarme de température basse est déclenchée après une temporisation ALd.
ALU	<i>Élévation de température d'alarme</i>	En cas de dépassement de SET + ALU une alarme de température élevée est déclenchée après une temporisation ALd.
ALd	<i>Temporisation d'alarme en cas de dépassement/ non atteinte de la température</i>	0...999 min; temps minimal dans lequel les conditions pour une situation d'alarme sont donnés

Alarmes

ALH	<i>Hystérésis pour Alarmes de valeur limite ALL et ALU</i>	l'accusé de réception automatique de l'alarme: En cas de haute alarme, non atteinte de ALU - ALH et en cas de basse alarme lors du dépassement de ALL + ALH
dAO	<i>Temporisation d'alarme avec réseau étant ENCLENCHE</i>	0 ... 0.23 heures; résolution 10 min Alarmes après mise en service.
So1	<i>Etat du relais de régulation 1 en cas d'erreur de capteur</i>	oFF = ouvert on = fermé
So2	<i>Etat du relais de régulation 2 en cas d'erreur de capteur</i>	oFF = ouvert on = fermé
tbA	<i>Etat du relais d'alarme après accusé de réception lors d'une situation d'alarme</i>	oFF = Relais désactivé on = Relais activé
AS	<i>Configuration de l'alarme Relais lors d'une alarme</i>	cL = Borne 5-6 fermée oP = Borne 5-6 fermée

Affichage des valeurs mesurées

LCI	<i>Valeur analogique inférieure affichée (-1999...1999)</i>	Mise en l'échelle de la valeur inférieure affichée à l'entrée de courant 4 mA ou à l'entrée de tension 0 V (seulement aux entrées 0-20 mA, 0-1V, 0-10 V)
UCI	<i>Valeur analogique supérieure affichée (-1999...1999) mA</i>	Mise en échelle de la valeur affichée supérieure à l'entrée de courant 20 mA ou à l'entrée de tension 1 V et 10 (seulement aux entrées 0-20 mA, 0-1V, 0-10 V)
OPb	<i>Calibrage du capteur</i>	en fonction de la plage de mesure
rES	<i>Résolution</i>	in = seulement chiffres entiers dE = aussi dixièmes ce = centièmes
UdM	<i>Unité de mesure</i>	Affichage de l'unité de mesure direct sur l'écran lumineux. En fonction de quel type de régulateur est utilisé: voir <i>Description générale</i>
PbC	<i>type de capteur capteur de température (TU):</i>	Mode d'entrée J = Thermoélément „J“; Pt = Pt100; C = Thermoélément „K“; Ptc = PTC; S = Thermoélément „S“; ntc = NTC cur = 4...20 mA; 0-1 = 0...1 V; 10 = 0...10 V
	<i>Entrée courant / tension (AU)</i>	
P3F	<i>Troisième borne une du capteur Pt100</i>	(si présente) no = Pt100 câblé 2 conducteurs yES = Pt100 câblé 3 conducteurs

Entrées numériques

HES	<i>Élévation de température/ Abaissement</i>	la valeur de consigne est augmentée/abaissée de HES pendant la phase d'économie d'énergie activation par l'entrée numérique (i1F = Es).
i1F	<i>Fonction du numérique d'entrée</i>	EAL = alarme externe; AUS = inutilisé; bAL = alarme externe plus sérieuse; Es = démarrer/arrêter mode économie d'énergie; on F = commuter l'appareil MARCHÉ/ ARRÊT de l'extérieur; C-H = inverser action de régulation
i1P	<i>Polarité du numérique de l'entrée</i>	CL : actif avec contact fermé OP: active avec contact ouvert
did	<i>Temporisation d'alarme de l'entrée numérique (0...120 min)</i>	Avec i1F = EAL ou i1F = bAL. Ensuite l'alarme correspondante a lieu affichage ou message.

Divers

Adr	<i>Adresse sérielle RS485 (1...247)</i>	Adresse pour système d'enregistrement XJ500. Identifie l'appareil lorsqu'il est intégré dans un système compatible ModBUS.
OnF	<i>Mettre l'appareil en mode STAND-BY</i>	no = impossible par le clavier yes = STAND-BY activable en maintenant la touche SET enfoncée pendant au moins 4 sec. Si l'on désire changer la valeur de consigne, maintenir la touche SET enfoncée pendant env. 2 sec.
Ptb	<i>Numéro des paramètres tableau</i>	seulement valeur de lecture
rEL	<i>Version</i>	seulement valeur de lecture
Pr2	<i>Affichage des paramètres d'affichage Pr2</i>	seulement dans le niveau



REMARQUE || **Vous obtenez** les paramètres cachés, lorsque vous maintenez les touches SET + ▼ pendant 3 sec enfoncées dans le niveau de programmation HY. Le message Pr2 apparaît.

2.6 Régulation des charges

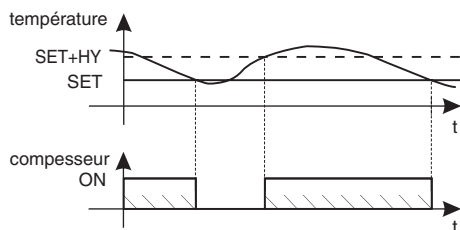
SORTIE DU RÉGULATEUR

La régulation dépend de la température de mesure (= température du capteur). Vous programmez le sens d'action (chauffer ou refroidir) avec les paramètres S1C et S2C.

S1C = dir → Refroidir
S1C = in → Chauffer

Set =	Valeur de consigne
Hy =	Hystérésis de commande

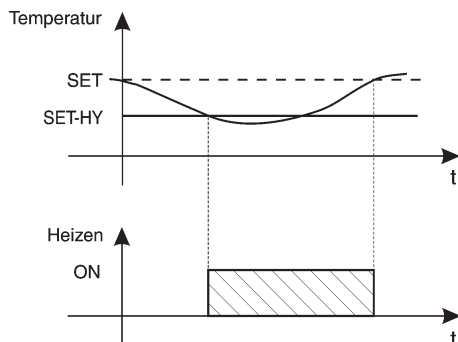
REFROIDIR



Paramètre S1C = dir; La valeur HY est pré-réglée en usine sur 2 K.

Si la température dépasse la valeur SET+ HY, le compresseur est enclenché et si elle descend au-dessous de SET, il est de nouveau coupé.

CHAUFFER



Paramètre S1C = in; la valeur HY est pré-réglée en usine sur 2 K.

Si la température descend au-dessous de la valeur SET-HY, la sortie du régulateur est enclenchée et en cas de dépassement de SET de nouveau coupée.

3**CARACTÉRISTIQUES TECHNIQUES**

- Boîtier ABS, autoextincteur
- Dimensions Devant 74 x 32 mm, profondeur 60 mm
- Montage Appareil de tableau rapporté pour coupe 29 x 71 mm
- Protection IP65 de devant, seulement avec joint frontal RG-C IP20
- Raccords Bornes à vis
- Section de ligne $\leq 2,5 \text{ mm}^2$
- Energie auxiliaire suivant la version
12...24 V AC/DC; $\pm 10\%$
230 V AC; $\pm 10\%$; 50/60 Hz
option 110 V AC; $\pm 10\%$; 50/60 Hz
- Puissance absorbée max. 3 VA
- Affichage 3½ chiffres, LED rouge, hauteur 12 mm
- Entrées Configurable NTC / PTC ou
NTC / PTC / Pt100 / Thermoélément J, K, S
ou 4... 20 mA / 0...1 V / 0...10 V
- Sorties relais 2 x CONTACT DE TRAVAIL 8(3) A, 250 V AC
+ 1 x NC
- Mémoire de données EEPROM
- Température ambiante 0...+60°C / +32...+140°F
- Température de stockage -30...+85°C / -22...+185°F
- Humidité de l'air 20...85% (non condensante)
- Plage de mesure selon capteur
- Résolution 0,1°C ou 1°F
- Précision à + 25 °C meilleure que 0,5% de la valeur finale de la plage de mesure

4 MONTAGE, INSTALLATION ET MISE EN SERVICE

4.1 Remarques générales sur l'installation et le service



ATTENTION!

- Poser les câbles séparés des entrées et de lignes conductrices de tension.
- Eviter les fortes vibrations, les gaz agressifs, le fort encrassement et l'humidité.



REMARQUE

- Vérifier avant de brancher l'appareil si la tension d'alimentation correspond à celle figurant sur la plaque signalétique
- Tenir compte de la charge maximale des contacts du relais (voir **Caractéristiques techniques**).
- Veiller à installer tous les capteurs à une distance suffisante de lignes conductrices de tension afin d'éviter des mesures de température erronées et à ce que l'appareil soit protégé de perturbations de tension par les entrées de capteur.

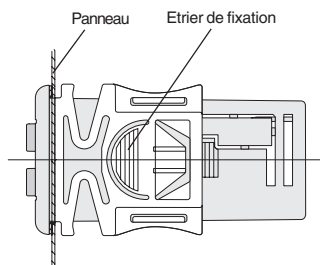
4.2 Montage

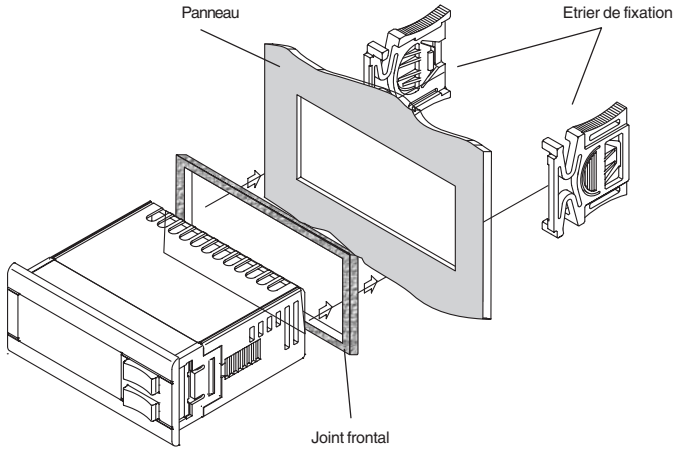
L'appareil est conçu pour montage dans tableau sur une découpe de 71 x 29 mm et il est fixé par des étriers.

Pour garantir la protection frontale IP65, un joint en caoutchouc doit être monté derrière le cadre frontal (RG-C en option).

La température ambiante pour un service irréprochable se situe dans la plage de 0 ... +60°C.

→ Assurer une aération suffisante par les fentes de refroidissement.



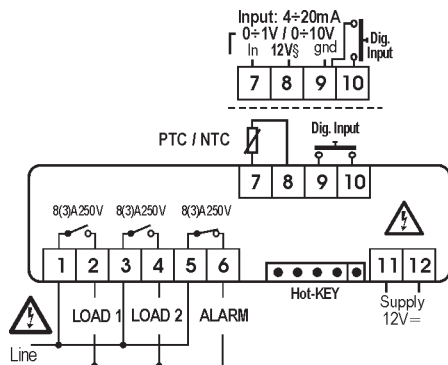


4.3 Branchements électriques

- Utiliser des câbles ayant une section de 2,5 mm² au maximum. L'appareil doit être muni des bornes à vis correspondantes.
- Contrôler l'énergie auxiliaire avant de brancher la tension d'alimentation (voir **Caractéristiques techniques**).
- Ne pas charger les contacts de relais avec des puissances plus élevées qu'admises. Intercaler, le cas échéant, des disjoncteurs à la suite.

AFFECTATION DES BROCHES

12 V AC/DC ou 24 V AC/DC

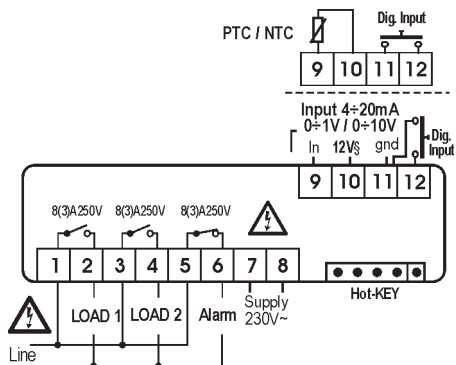


Entrée de signaux normalisés 0...1 V; 0...10 V = 7(+), 9(-)
4...20 mA = 7(+), 9(-)

Thermoélément J, K, S = 7(+)-9(-)
capteur: Pt100 = 7-9(8)

Alimentation en tension: 24 V AC/DC = 11-12

230 V AC



Entrée de signaux normalisés 0...1 V; 0...10 V = 9(+), 11(-)
4...20 mA = 9(+), 11(-)

Thermoélément J, K, S = 9(+)-11(-)
capteur: Pt100 = 9-11(10)

Alimentation en tension: 230 V AC = 7-8

5**Fonction HOT-KEY****TÉLÉCHARGER (HOT-KEY → DISPOSITIF DE RÉGULATION)**

Ecrire le jeu de paramètres mémorisé de la HOT-KEY dans le dispositif de régulation:

- Commuter le régulateur HORS COURANT ou le mettre en STAND-BY.
- Enficher la HOT-KEY dans la position marquée sur le régulateur jusqu'à la butée.
- Réactiver le régulateur.
- Les paramètres alloués à la HOT-KEY sont automatiquement écrits dans le régulateur. Pendant ce temps le message DoL clignote à l'écran. Après 10 sec l'opération de programmation est terminée et le service normal démarre automatiquement avec le nouveau jeu de paramètres.
- La HOT-KEY peut être enlevée.

A la fin de la transmission de données, les messages suivants sont possibles:

- fin d'une transmission de données correcte
- fin d'une transmission de données ratée
Commuter dans ce cas l'appareil brièvement hors courant pour répéter l'opération. Si vous désirez interrompre l'opération, enlevez simplement la HOT-KEY.

TÉLÉTRANSMETTRE (HOT-KEY DISPOSITIF DE RÉGULATION)

Ecrire les paramètres alloués actuellement du dispositif de régulation dans la HOT-KEY:

- Enficher la HOT-KEY dans la position prévue lorsque le régulateur est de nouveau enclenché.
- Presser 1x avec ▲. Le message uPL est affiché.
- Presser la touche SET1 pour lancer la transmission de données. uPL commence à clignoter.
- Si vous pouvez enlever de nouveau la HOT-KEY après environ 10 sec.

A la fin de la transmission de données, les messages suivants sont possibles:

- fin d'une transmission de données correcte
- fin d'une transmission de données ratée
Dans ce cas, presser encore la touche SET pour répéter l'opération. Si vous désirez interrompre l'opération, enlevez la HOT-KEY.

6 RÉGLAGE USINE

PA ¹	Description	Domaine	Alloca-tion	PE ²
SET1	Valeur de consigne 1	LS1 + US1	0	Pr1
SET2	Valeur de consigne 2	LS2 + US2	1	Pr1
HY1	Hystérésis de commande 1	Dépend de la plage de mesure	-1	Pr1
HY2	Hystérésis de commande 2	Dépend de la plage de mesure	-1	Pr1
LS1	Valeur de consigne minimale 1	Limite inférieure de réglage de SET1	min	Pr2
LS2	Valeur de consigne minimale 2	Limite inférieure de réglage de SET2	min	Pr2
US1	Valeur de consigne maximale 1	Limite supérieure de réglage de SET1	max	Pr2
US2	Valeur de consigne maximale 2	Limite supérieure de réglage de SET2	max	Pr2
S1C	Action de régulation, sortie 1	in = invers; dir = direct	in	Pr2
S2C	Action de régulation, sortie 2	in = invers; dir = direct	in	Pr2
ouc	Dépendance de la valeur de consigne	ind = indépendante; diP = dépendante	ind	
Ac	Temporisation des relais	0...250 sec	0	Pr2
on	Durée minimale de commut. d'un relais	0...250 sec	0	Pr2
ono	Temps d'attente minimal entre deux activations successives de la même charges	0...120 min	0	Pr2
ALC	Les limites d'alarme sont des valeurs absolues ou référées à des valeurs de consigne	rE = relative; Ab = absolue	rE	Pr2
ALL	Limite inférieure d'alarme (ALC = rE; ALC = Ab)	Dépend de la plage de mesure	10	Pr2
ALU	Limite supérieure d'alarme (ALC = rE; ALC = Ab)	Dépend de la plage de mesure	10	Pr2
ALH	Hystérésis de commande pour alarmes	Dépend de la plage de mesure	2	Pr2
ALd	Temporisation d'alarme pendant le service	0...999 min	15	Pr2
dAO	Temporisation d'alarme après la mise en service	0...23,5 h	1,3	Pr2

¹ Paramètre

² niveau de programmation

PA ¹	Description	Domaine	Allo- cation	PE ²
So1	Sortie 1 lors d'erreur de capteur	oFF = ouvert; on = fermé	oFF	Pr2
So2	Sortie 2 lors d'erreur de capteur	oFF = ouvert; on = fermé	oFF	Pr2
tbA	Relais d'alarme validable	no; yES	yES	Pr2
AS	Polarité du relais d'alarme	CL...oP	oP	Pr2
LC ³	Valeur analogique affichée inférieure	Dépend du capteur	var.	Pr1
UC ³	Valeur analogique affichée supérieure	Dépend du capteur	var.	Pr1
Opb	Calibrage du capteur	Dépend de la plage de mesure	0	Pr1
rES	Résolution	in = NO; dE = 0,1; cE = 0,01	in	Pr2
UdM	Unité de mesure	Typ TU: °C = °C, °F = °F; Typ AU: 0 = °C, 1 = °F; 2 = RH, 3 = bar, 4 = PS, 5 = sans affichage	var.	Pr1
PbC	Type de capteur	Pt = Pt100; J = tcJ; c = tck; S = tcS; Ptc = PTC; ntc = NTC; 0,1 = 0...1 V; 10 = 0...10 V; cur = 0...20 mA	var.	Pr1
P3F	PT100; 3 conducteurs	no = no; yES = oui	no	Pr2
i1F	Configuration de l'entrée numérique	c-H / oFF / Aus / HES / EAL / bAL	EAL	Pr2
i1P	Polarité de l'entrée numérique	cL = fermé; oP = ouvert	cL	Pr2
did	Temporisation d'alarme de l'entrée numérique	0...120 min	0	Pr2
Adr	Adresse sérielle pour XJ500	RS485 Adresse	1	Pr2
OnF	Activer fonction Standby	no = non; oFF = active	no	Pr2
Ptb	Table des paramètrese	Valeur de lecture	-	Pr2
rEL	Version de logiciel	Valeur de lecture	-	Pr2
Pr2	Accès paramètres à Pr2	Valeur de lecture	321	Pr1

¹ Paramètre

² niveau de programmation

³ seulement dans le cas des appareils avec entrée de courant ou de tension

7 ENTRETIEN

Le régulateur 0911 est exempt d'entretien s'il est mis en service conformément aux indications données dans ces instructions.

8 MAINTENANCE

8.1 Pannes

MESSAGES D'ERREUR

Message	Cause	Action
<i>PF₀</i>	Capteur défectueux ou non branché	Relais d'alarme ENCLENCHE; relais de régulation, selon <i>So1</i>
<i>PF_C</i>	Court-circuit capteur	Relais d'alarme ENCLENCHE; relais de régulation, selon <i>So1</i>
<i>HA</i>	Alarme haute température	Relais d'alarme ENCLENCHE; sorties restent intouchées
<i>LA</i>	Alarme basse température	Relais d'alarme ENCLENCHE; sorties restent intouchées
<i>EAL</i>	Alarme d'entrée numérique	Sorties restent intouchées
<i>BAL</i>	Alarme numérique sérieuse	Toutes les sorties de régulation désactivées

ETAT DU RELAIS D'ALARME

Etat de l'appareil	AS = CL	AS = OP
Appareil hors courant	5 - 6 fermé	5 - 6 fermé
Servie normal	5 - 6 fermé	5 - 6 ouvert
Situation d'alarme pendant le service	5 - 6 ouvert	5 - 6 fermé

ACCUSER RÉCEPTION DES ERREURS PAR LE CLAVIER

→ Presser une touche quelconque

Le message d'alarme reste affiché, aussi longtemps que les conditions d'alarme existent l'appareil se remet ensuite en service normal.

ACCUSÉ DE RÉCEPTION AUTOMATIQUE DE L'ERREUR

- Message *PFO* et *PFc* - erreur capteur d'espace
Après env. 30 sec ou élimination de la cause d'erreur, l'accusé de réception du message se fait automatiquement Vérifier les raccords avant d'échanger les capteurs.
- Messages **HA/LA** - alarme de température élevée/basse
Les messages s'effacent automatiquement dès que la température normale a été de nouveau atteinte ou quand un dégel démarre.
- L'accusé de réception des alarmes externes EAL et BAL a lieu après désactivation de l'entrée numérique.

français

MAN 1000050149 ML Version: D Status: PL (released | freigegeben) printed: 01.12.2009

3.2 Table de commande appareil de base/accessoires

Article	Entrées	N° Cde
Régulateur 3 positions 0911 12-24 V AC/DC	PTC/NTC; Pt100, type J, K, S	788 267
Régulateur 3 positions 0911 12-24 V AC/DC	4-20 mA; 0-10 V; 0-1 V	788 268
Régulateur 3 positions 0911 230 V AC	PTC/NTC; Pt100, type J, K, S	788 269
Régulateur 3 positions 0911 230 V AC	4-20 mA; 0-10 V; 0-1 V	788 270
Capteur PTC avec câble 1,5 m, gaine de montage L = 62 mm D = 6 mm		781 969
Recouvrement de protection		787 937
Transfo 230 V / 24 V 3 VA		787 938

MAN 100050149 ML Version: D Status: RL (released | freigegeben) printed: 01.12.2009

Addresses of BC offices/Adressliste BC Länder Europe/Europa

BC-A Austria, Österreich

Bürkert-Contromatic G.m.b.H.
Dieffenbachgasse 1-3
A-1100 Wien
Phone: Int.(+43 1)894 13 33, Nat.(01)894 13 33
Fax: Int.(+43 1)894 13 00, Nat.(01)894 13 00
E-mail: info@buerkert.at

BC-B Belgium, Belgien

Bürkert Contromatic NV/SA
Bijkhovelaan 3
B-2110 Wijnegem
Phone: Int.(+32 3)325 89 00, Nat.(03)325 89 00
Fax: Int.(+32 3)325 61 61, Nat.(03)325 61 61
E-mail: sales.be@burkert.com

BC-CZ Czech Rep., Tschech. Rep.

Bürkert-Contromatic G.m.b.H. organizacni slozka
Krenova 35
CZ-020 00 Brno
Phone: Int.(+420 543)25 25 05, Nat.(543)25 25 05
Fax: Int.(+420 543)25 25 06, Nat.(543)25 25 06
E-mail: obchod@buerkert.cz

BC-DK Denmark, Dänemark

Bürkert-Contromatic A/S
Hørker 24
DK-0730 Herlev
Phone: Int.(+45 44)50 75 00, Nat.44-50 75 00
Fax: Int.(+45 44)50 75 75, Nat.44-50 75 75
E-mail: info.dk@burkert.com

BC-EE Estonia, Estland

Bürkert Oy Eesti
Laki 1 E
EE-12915 Tallin
Phone: Int.(+3 72)6440 698, Nat.(372)6440 698
Fax: Int.(+3 72)6313 759, Nat.(372)6313 759
E-mail: info@burkert.ee

BC-FI Finland, Finland

Bürkert Oy
Atorintie 5
FI-00370 Helsinki
Phone: Int.(+358 9)549 706 00, Nat.(09)549 70600
Fax: Int.(+358 9)503 12 75, Nat.(09)503 1275
E-mail: sales.fi@burkert.com

BC-F France, Frankreich

Burkert Contromatic SARL
Rue du Giessen
FR-67220 Triembach au Val
Phone: Int.(+33 388)58 91 11, Nat.(0388)58 91 11
Fax: Int.(+33 388)57 20 08, Nat.(0388)57 20 08
E-mail: burkert.france@buerkert.com

BC-I Italy, Italien

Burkert Contromatic Italiana S.p.A.
Centro Direzionale „Colombirollo“
Via Roma, 74
IT-20060 Cassina De' Pecchi (Mi)
Phone: Int.(+39 02)959 071, Nat.(02)959 071
Fax: Int.(+39 02)959 07251, Nat.(02)959 07 251
E-mail: info@buerkert.it

BC-N Norway, Norwegen

Bürkert-Contromatic A/S
Hvamstuppen 17
NO-2013 Skjetten
Phone: Int.(+47 63)84 44 10, Nat.(63)84 44 10
Fax: Int.(+47 63)84 44 55, Nat.(63)84 44 55
E-mail: buerkert@online.no

BC-NL Netherlands, Niederlande

Bürkert Contromatic BV
Computerweg 9
NL-3542 DP Utrecht
Phone: Int.(+31 346)58 10 10, Nat.(0346)58 10 10
Fax: Int.(+31 346)56 37 17, Nat.(0346)56 37 17
E-mail: info@burkert.nl

BC-P Portugal, Portugal

Phone: Int.(+35121)21 28 490, Nat.(21)21 28 490
Fax: Int.(+35121)21 28 491, Nat.(21)21 28 491
E-mail: portugal@burkert.com

BC-PL Poland, Polen

Burkert-Contromatic GmbH
Oddzial w Polsce
Bernardynska street 14 a
PL-02-904 Warszawa
Phone: Int.(+48 22)840 60 10, Nat.(022)840 60 10
Fax: Int.(+48 22)840 60 11, Nat.(022)840 60 11
E-mail: buerkert@burkert.pl

BC-E Spain, Spanien

Bürkert Contromatic S.A.
Avda. Barcelona, 40
ES-08970 Sant Joan Despi, Barcelona
Phone: Int.(+34 93)477 79 80, Nat.(93)477 79 80
Fax: Int.(+34 93)477 79 81, Nat.(93)477 79 81
E-mail: spain@burkert.com

BC-S Sweden, Schweden

Bürkert-Contromatic AB
Skeppsbron 13 B
SE-211 20 Malmö
Phone: Int.(+46 40)664 51 00, Nat.(040)664 51 00
Fax: Int.(+46 40)664 51 01, Nat.(040)664 51 01
E-mail: info.se@burkert.com

BC-CH Switzerland, Schweiz

Bürkert-Contromatic AG Schweiz
Bösch 71
CH-6331 Hünenberg ZG
Phone: Int.(+41 41)785 66 66, Nat.(041)785 66 66
Fax: Int.(+41 41)785 66 33, Nat.(041)785 66 33
E-mail: info.ch@buerkert.com

BC-TR Turkey, Türkei

Burkert Contromatic Akiskan
Kontrol Sistemleri Ticaret A.S.
1203/8 Sok. No2-E
TR-Yenisehir, Izmir
Phone: Int.(+90 232)459 5395, Nat.(0232)459 5395
Fax: Int.(+90 232)459 7694, Nat.(0232)459 7694
E-mail: burkert@superonline.com

BC-UK United Kingdom, Vereinigtes Königreich

Burkert Contromatic Limited
Brimmscombe Port Business Park
Brimmscombe, Stroud
Glos, GL5 2QF /UNITED KINGDOM
Phone: Int.(+44 1453)73 13 53, Nat.(01453)73 13 53
Fax: Int.(+44 1453)73 13 43, Nat.(01453)73 13 43
E-mail: sales.uk@burkert.com

Addresses of BC offices/Adressliste BC Länder APAC

BC-AUS **Australia, Australien**

BURKERT CONTROMATIC AUSTRALIA PTY. LTD
2 Weller Road
Seven Hills, NSW 2147
AUSTRALIA
Phone: Int. (+61 2)1300 888 868, Nat. (02)1300 888 868
Fax: Int. (+61 2)1300 888 076, Nat. (02)1300 888 076
E-mail: sales.au@burkert.com

Victoria

BURKERT CONTROMATIC AUSTRALIA PTY. LTD
Unit 11/26-30 Howleys Road
Netting Hill Victoria 2168
Phone: Int. (+61 3)85459700, Nat. (02)85459700
Fax: Int. (+61 3)95626599, Nat. (03)95626599

Queensland

BURKERT CONTROMATIC AUSTRALIA PTY. LTD
Unit 4/43 Sandgate Road
Avion Queensland 4010
Phone: Int. (+61 7)33269600, Nat. (07)33269600
Fax: Int. (+61 7)32628801, Nat. (07)32628801

Western Australia

BURKERT CONTROMATIC AUSTRALIA PTY. LTD
104 Westpoint, 396 Scarborough Beach Road
Osborn Park Western Australia 6017
Phone: Int. (+61 8)94443980, Nat. (08)94443980
Fax: Int. (+61 8)94449353, Nat. (08)94449353

BCCN **China, China**

Burkert Contromatic (Shanghai), Co., Ltd.
Room J1, 3rd floor
207 Cai Gu Road
Wafeng Qiao Free Trade Zone
Shanghai 200131
P. R. CHINA
Phone: Int. (+86 21)5868 21 19, Nat. (21)5868 21 19
Fax: Int. (+86 21)5868 21 20, Nat. (21)5868 21 20
E-mail: info.chn@burkert.com

Beijing

Burkert Contromatic (Shanghai), Co., Ltd.
Room 808, Jingtai Building
No. 24, Jian Guo Men Wai Da Jie
Beijing P. R. China, 100022
Phone: Int. (+8610)65156508, Nat. (10)65156508
Fax: Int. (+8610)65156507, Nat. (10)65156507

Chengdu

Burkert Contromatic (Shanghai), Co., Ltd.
Room 603-604, Fuji Building
26 Dongfeng Road, Shudu Dadao
Chengdu P. R. China, 610061
Phone: Int. (+8628)84439064, Nat. (28)84439064
Fax: Int. (+8628)84451341, Nat. (28)84451341

Guangzhou

Burkert Contromatic (Shanghai), Co., Ltd.
Room 1502, Tower 4, Dong Jun Plaza
828 - 836 Dong Feng Road East
Guangzhou P. R. China, 510080
Phone: Int. (+8620)87698379, Nat. (20)87698379
Fax: Int. (+8620)87671131, Nat. (20)87671131

Shanghai

Burkert Contromatic (Shanghai), Co., Ltd.
Room 27 E, Shanghai Industry Building
No. 18 Caoxi Bai Road
Shanghai P. R. China, 200030
Phone: Int. (+8621)64865110, Nat. (21)64865110
Fax: Int. (+8621)64874815, Nat. (21)64874815

Suzhou

Burkert Contromatic (Shanghai), Co., Ltd.
Room 5, #06-06
Block A, No. 5 Xinghan Street
SIP Suzhou P. R. China, 215021
Phone: Int. (+86512)67611916, Nat. (512)67611916
Fax: Int. (+86512)67611120, Nat. (512)67611120

BC-HKG (China) **Hong Kong, Hongkong**

Burkert Contromatic (China/HK) Ltd.
Unit 708 Prosperity Centre,
77 - 81, Container Port Road
Kwai Chung, N.T., HONG KONG
Phone: Int. (+852)248 012 02, Nat. 248 012 02
Fax: Int. (+852)241 819 45, Nat. 241 819 45
E-mail: info.hkg@burkert.com

BC-IND **India, Indien**

Burkert Contromatic PVT Ltd.
Apex Towers
1st Floor, No. 54 II Main Rd
RA Puram
Chennai 600 028
INDIA
Phone: Int. (+91 044)52303456, Nat. (044)52303456
Fax: Int. (+91 044)52303232, Nat. (044)52303232
E-mail: sales.in@burkert.com

BC-J **Japan, Japan**

Burkert Ltd.
1-8-5 Asagaya Minami
Suginami-ku
Tokyo 166-0004
JAPAN
Phone: Int. (+81 3)5305 3610, Nat. (03)5305 3610
Fax: Int. (+81 3)5305 3611, Nat. (03)5305 3611
E-mail: info.jpn@burkert.com

BC-KOR **Korea, Korea**

Burkert Contromatic Korea Co., Ltd.
C-401, Micro Office Bldg. 554-2
Gasan-Dong, Keumcheon-Gu
Seoul 153-803
KOREA
Phone: Int. (+82 2)3462 55 92, Nat. (02)3462 55 92
Fax: Int. (+82 2)3462 55 94, Nat. (02)3462 55 94
E-mail: info.kor@burkert.com

BC-TT **Malaysia, Malaysia**

BURKERT CONTROMATIC SINGAPORE PTE Ltd.
2F-1, Tingkat Kenari 6
Sungai Ara
11960 Penang
MALAYSIA
Phone: Int. (+60 4)643 50 08, Nat. (04)643 50 08
Fax: Int. (+60 4)643 70 10, Nat. (02)643 70 10
E-mail: info.sin@burkert.com

BC-NZ **New Zealand, Neuseeland**

BURKERT CONTROMATIC NEW ZEALAND LIMITED
2A, Unit L, Edinburgh Street
Penrose, Auckland
NEW ZEALAND
Phone: Int. (+64 9)622 28 40, Nat. (09)622 28 40
Fax: Int. (+64 9)622 28 47, Nat. (09)622 28 47
E-mail: sales.nz@burkert.com

Addresses of BC offices/Adressliste BC Länder **APAC**

BC-RP Philippines, Philippinen

BURKERT CONTROMATIC PHILIPPINES, INC.
846 West Service Road Km 14
South Superhighway, Sunvalley
Paranaque City, Metro Manila
PHILIPPINES
Phone: Int.(+63 2)776 43 84, Nat.(02)776 43 84
Fax: Int.(+63 2)776 43 82, Nat.(02)776 43 82
E-mail: info.rp@burkert.com

BC-SIN Singapore, Singapur

BURKERT CONTROMATIC SINGAPORE PTE. LTD.
51 Ubi Avenue 1, #03-14
Pay@Ubi Industrial Park
Singapore 408933
SINGAPORE
Phone: Int.(+65)6844 2233, Nat.6844 2233
Fax: Int.(+65)6844 3532, Nat.6844 3532
E-mail: info.sin@burkert.com

BC-RC Taiwan, Taiwan

Burkert Contromatic Taiwan Ltd.
9 F, No. 32, Chenggong Road, Sec. 1,
Nangang District
Taipei
TAIWAN 115, R.O.C.
Phone: Int.(+886 2)2653 78 68, Nat.(02)2653 78 68
Fax: Int.(+886 2)2653 79 68, Nat.(02)2653 79 68
E-mail: info.rc@burkert.com

Addresses of BC offices/Adressliste BC Länder **NAFTA**

BC-BRA Brazil, Brasilien

Burkert-Contromatic Brasil Ltda.
Rua Américo Brasiliense, 2171 cj.1007
04715-005 São Paulo - SP
BRAZIL
Phone: Int.(+55 11)5182 0011, Nat.(011)5182 0011
Fax: Int.(+55 11)5182 8899, Nat.(011)5182 8899
E-mail: burkert@burkert.com.br

BC-USA USA, USA

BURKERT CONTROMATIC CORP.
2602 McGaw Avenue
Irvine, CA 92614
USA
Phone: Int.(+1 949)223 31 00, Nat.(949)223 31 00
Fax: Int.(+1949)223 31 98, Nat.(949)223 31 98
E-mail: marketing-usa@burkert.com

BC-CDN Canada, Kanada

Burkert Contromatic Inc.
760 Pacific Road, Unit 3
Oakville, Ontario L6L 6M5
CANADA
Phone: Int.(+1 905)847 55 66, Nat.(905)847 55 66
Fax: Int.(+1 905)847 90 06, Nat.(905)847 90 06
E-mail: sales.ca@burkert.com

Addresses of BC offices/Adressliste BC Länder **AFRICA/AFRIKA**

BC-SA South Africa, Südafrika

Burkert Contromatic Pty. Ltd.
P.O. Box 26260
East Rand
1462
SOUTH AFRICA
Phone: Int.(+27 11)574 60 00, Nat.(011)574 60 00
Fax: Int.(+27 11)454 14 77, Nat.(011)454 14 77
E-mail: sales.za@burkert.com

MAN 100005511 (released) status: P

Adressliste Bürkert Fluid Control Systems **Deutschland**

Headquarter and Service Center, Stammsitz und Service-Center

Ingelfingen

Bürkert GmbH & Co. KG
Christian-Bürkert-Straße 13 - 17
DE-74653 Ingelfingen
Telefon: Int. (+497940)10-111, Nat. (07940)10-111
Fax: Int. (+497940)10-448, Nat. (07940)10-448
E-mail: info@de.buerkert.com

Distribution Center, Vertriebs-Center

Berlin

Bürkert GmbH & Co. KG
Paradiesstraße 206 b
DE-10526 Berlin
Telefon: Int. (+4930)6797170, Nat. (030)6797170
Fax: Int. (+4930)67971766, Nat. (030)67971766

Hannover

Bürkert GmbH & Co. KG
Rensburger Straße 12
DE-30659 Hannover
Telefon: Int. (+49511)902760, Nat. (0511)902760
Fax: Int. (+49511)9027666, Nat. (0511)9027666

Dortmund

Bürkert GmbH & Co. KG
Holzener Straße 70
DE-58708 Menden
Telefon: Int. (+492373)96810, Nat. (02373)96810
Fax: Int. (+492373)968150, Nat. (02373)968150

Frankfurt

Bürkert GmbH & Co. KG
Am Flugplatz 27
DE-63329 Egelsbach
Telefon: Int. (+496103)94140, Nat. (06103)94140
Fax: Int. (+496103)941466, Nat. (06103)941466

Stuttgart

Bürkert GmbH & Co. KG
Karl-Benz-Straße 19
DE-70794 Filderstadt-Bernhausen
Telefon: Int. (+49711)451100, Nat. (0711)451100
Fax: Int. (+49711)4511066, Nat. (0711)4511066

München

Bürkert GmbH & Co. KG
Paul-Gerhardt-Allee 24
DE-81245 München
Telefon: Int. (+4989)8292280, Nat. (089)8292280
Fax: Int. (+4989)82922850, Nat. (089)82922850

Service-Center, Dienstleistungs-Center

Dortmund

Bürkert GmbH & Co. KG
Holzener Straße 70
DE-58708 Menden
Telefon: Int. (+492373)968134, Nat. (02373)968134
Fax: Int. (+492373)968132, Nat. (02373)968132

Dresden

Bürkert GmbH & Co. KG
Christian-Bürkert-Straße 2
DE-01900 Großröhrsdorf
Telefon: Int. (+4935952)36-300, Nat. (035952)36-300
Fax: Int. (+4935952)36-551, Nat. (035952)36-551

MAN 100050149 ML Version: D Status: RL (released | freigegeben) printed: 01.12.2009

MAN 100050149 ML Version: D Status: RL (released | freigegeben) printed: 01.12.2009

MAN 1000050149 ML Version: D Status: RL (released | freigegeben) printed: 01.12.2009

The smart choice
of Fluid Control Systems
www.buerkert.com

bürkert
Fluid Control Systems