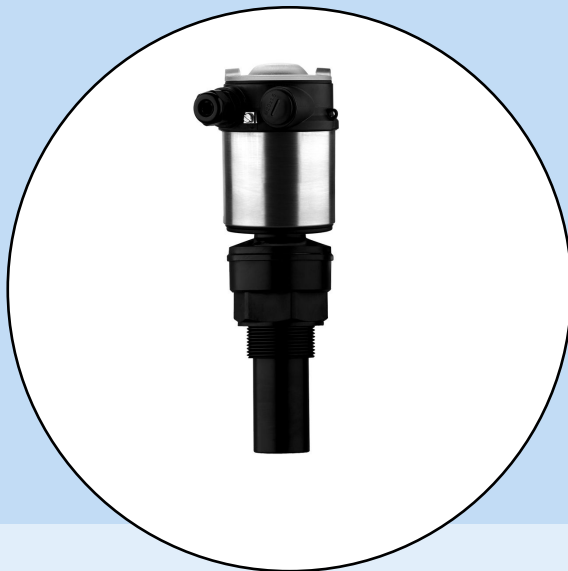


Safety instructions

MAN 1000108677 ML Version: - Status: RL (released | freigegeben) printed: 04.07.2008



**LEVEL TRANSMITTER
LT817*.C***H*****

PTB 07 ATEX 2003 X

⊕ II 1/2G, II 2G EEx ia IIC T6



CE 0102



32829

bürkert
Fluid Control Systems

Safety instructions

Contents

EG Konformitätserklärung	4
EC declaration of conformity	4
Déclaration CE de conformité	4
1 Area of applicability	5
2 General	5
2.1 Category 1/2G instruments	5
2.2 Category 2G instruments	5
3 Technical data	6
3.1 Electrical versions and data	6
4 Application conditions	7
4.1 Permissible ambient temperatures	7
4.2 Permissible operating pressure	8
5 Protection against static electricity	8
6 Use of an overvoltage arrester	8
7 Grounding	8
8 Material resistance	9
9 Installation	9

Please note:

These safety instructions are part of the operating instructions:

- 32058 - LEVEL TRANSMITTER 8176
- 32059 - LEVEL TRANSMITTER 8177
- 33453 - EC type approval certificate PTB 07 ATEX 2003 X

Safety instructions

DE	Sicherheitshinweise für den Einsatz in explosionsgefährdeten Bereichen, verfügbar in den Sprachen deutsch, englisch, französisch und spanisch.
EN	Safety instructions for the use in hazardous areas are available in German, English, French and Spanish language.
FR	Consignes de sécurité pour l'utilisation en atmosphère explosible, disponibles dans les langues allemande, anglaise, française et espagnole.
ES	Instrucciones de seguridad para el empleo en áreas con riesgo de explosión, disponible en los siguientes idiomas alemán, inglés, francés y español.
CZ	Pokud nastanú potíže při čtení bezpečnostních upozornění v otisknutých jazycích, poskytneme Vám na základě žádosti k dispozici kopii v jazyce Vaší země.
DA	Hvis De har svært ved at forstå sikkerhedsforskrifterne på de trykte sprog, kan De få en kopi på Deres sprog, hvis De ønsker det.
EL	Εάν δυσκολεύεστε να διαβάσετε τις υποδείξεις ασφαλείας στις γλώσσες που ήδη έχουν τυπωθεί, τότε σε περίπτωση ζήτησης μπορούμε να θέσουμε στη διάθεσή σας ένα αντίγραφο αυτών στη γλώσσα της χώρας σας.
ET	Kui teil on raskusi trükitud keeltes ohutusnõuete lugemisega, siis saadame me teie järelpeärimise peale nende koopia teie riigi keeles.
FI	Laitteen mukana on erikielisiä turvallisuusohjeita. Voit tilata meiltä äidinkielistä turvallisuusohjeet, jos et selviä mukana olevilla kiellillä.
HU	Ha a biztonságú előírásokat a kinyomtatott nyelveken nem tudja megfelelően elolvasni, akkor lépjen velünk kapcsolatba: azonnal a rendelkezésére bocsátunk egy példányt az Ön országában használt nyelven.
IT	Se le Normative di sicurezza sono stampate in una lingua di difficile comprensione, potete richiederne una copia nella lingua del vostro paese.
LT	Jei Jums sunku suprasti saugos nuorodų tekstą pateiktomis kalbomis, kreipkitės į mus ir mes Jums duosime kopiją Jūsų šalies kalba.
LV	Ja Jums ir problēmas drošības noteikumus lasīt nodrukātajās valodās, tad mēs Jums sniegsim pēc pieprasījuma kopiju Jūsu valsts valodā.
MT	F'kaz li jkollok xi diffikulta' biex tifhem listruzzjonijiet ta' sigurta' kif iprovduti, infurmana u ahna nibghatulek kopja billingwa tieghek.
NL	Als u moeijikheden mocht hebben met het lezen van de veiligheidsinstructies in de afgedrukte talen, sturen wij u op aanvraag graag een kopie toe in uw eigen taal.
PL	W przypadku trudności odczytania przepisów bezpieczeństwa pracy w wydrukowanych językach, chętnie udostępniemy Państwu kopię w języku obowiązującym w danym kraju.
PT	Caso tenha dificuldade de ler as instruções de segurança no idioma, no elas foram impressas, poderá solicitar junto a nós uma cópia em seu idioma.
SK	Pokiaľ nastanú problémy pri čítaní bezpečnostných pokynov vo vydaných jazykoch, poskytneme Vám na základe žiadosti k dispozícii kópiu v jazyku Vašej krajiny.
SL	Kadar se pojavijo težave pri branju varnostnih navodil v izdanih jezikih, vam bomo na osnovi zahtevka dali na razpolago kopijo v jeziku vaše države.
SV	Om du har problem att läsa säkerhetsanvisningarna på de här tryckta språken, ställer vi gärna på begäran en kopia på ditt språk till förfogande.

32829-EN-070615

**EG-Konformitätserklärung
EC declaration of conformity
Déclaration CE de conformité**

Bürkert Werke GmbH & Co.KG
Christian-Bürkert-Straße 13 - 17
74653 Ingelfingen
Deutschland

erklärt in alleiniger Verantwortung, dass das Produkt
declare under our sole responsibility that our product
déclare sous sa seule responsabilité que le produit

LEVEL TRANSMITTER LT8176.C*H***, LT8177.C***H*****

auf das sich diese Erklärung bezieht, mit den folgenden Normen übereinstimmt
to which this declaration relates is in conformity with the following standards
auquel se réfère cette déclaration est conforme aux normes

EN 50014: 1997 + A1 + A2

EN 50020: 1999

EN 50284: 1999

EN 61010-1: 2001

EN 61326: 1997/A1: 1998 Emission (Klasse A/class A/class A)

EN 61326: 1997/A1: 1998 Immission/Susceptibility

gemäß den Bestimmungen der Richtlinien
following the provision of Directives
conformément aux dispositions des Directives

94/9/EG

2006/95/EG

89/336/EWG

EG-Baumusterprüfbescheinigung Nummer
EC-Type Examination Certificate Number
Numéro du certificat d'examen CE de type

PTB 07 ATEX 2003 X

Benannte Stelle/Kennnummer
Notified Body/Identification number
Organisme notifié/Numéro d'identification

PTB/0102

Ingelfingen, 26.03.07



i.A. Sonja Drolshagen
Certifications Engineer

1 Area of applicability

These safety instructions apply to the ultrasonic sensors LEVEL TRANSMITTER 8176 and LEVEL TRANSMITTER 8177 of type series LEVEL TRANSMITTER LT8176.C***H***, LT8177.C***H*** according to the EC type approval certificate PTB 07 ATEX 2003 X (certification number on the type label).

2 General

The ultrasonic level measuring instrument LEVEL TRANSMITTER LT8176.C***H***, LT8177.C***H*** is used to detect the distance between product surface and transducer by means of ultrasonic waves in the kHz range. The electronics uses the running time of the signals reflected by the product surface to calculate the distance to the product surface. The ultrasonic sensors LEVEL TRANSMITTER LT8176.C***H***, LT8177.C***H*** consist of an electronics housing, a process connection element and a sensor, the transducer. As an option, an indication and adjustment module with the designation AB/MODUL-BÜRKERT can be integrated.

The ultrasonic sensors LEVEL TRANSMITTER LT8176.C***H***, LT8177.C***H*** are suitable for applications in hazardous atmospheres of all combustible materials of explosion group IIA, IIB and IIC, for applications requiring instruments of category 1/2G or 2G. The products to be measured can also be combustible liquids, gases, mist or vapour.

If the ultrasonic sensors LEVEL TRANSMITTER LT8176.C***H***, LT8177.C***H*** are installed and operated in hazardous areas, the general Ex mounting instructions and these safety instructions must be observed.

The operating instructions as well as the appropriate Ex mounting instructions, i.e. standards for electrical equipment, must always be observed.

The installation of explosion protected systems must always be carried out by qualified personnel.

2.1 Category 1/2G instruments

The electronics housing of the ultrasonic sensors LEVEL TRANSMITTER LT8176.C***H***, LT8177.C***H*** is installed in hazardous areas requiring instruments of category 2G. The process connection element is installed in the separating wall, which separates areas requiring instruments of category 2G or 1G. The sensor with the mechanical fixing element is installed in hazardous areas requiring instruments of category 1G.

2.2 Category 2G instruments

The ultrasonic sensors LEVEL TRANSMITTER LT8176.C***H***, LT8177.C***H*** are installed in hazardous areas requiring instruments of category 2G.

3 Technical data

3.1 Electrical versions and data

Ignition protection intrinsic safety Ex "i"

The LEVEL TRANSMITTER LT8176.C***H***, LT8177.C***H*** are provided with intrinsically safe circuits. These intrinsically safe circuits are connected on terminals which are located in an "Ex i" connection compartment.

Power supply and signal circuit: (terminal no. 1[+], no. 2[-] in the Ex "i" connection compartment)

In flame proofing intrinsic safety EEx ia IIC/IIB
Only for connection to a certified intrinsically safe circuit.

Maximum values:

$$U_i = 30 \text{ V}$$

$$I_i = 131 \text{ mA}$$

$$P_i = 983 \text{ mW}$$

Effective internal inductance L_i is negligible;
effective internal capacity C_i is negligible

Indicating and adjustment circuit: (terminal 5, 6, 7, 8 in electronics compartment or plug connection with double chamber housing version)

In flame proofing intrinsic safety EEx ia IIC

For connection to the intrinsically safe power supply and signal circuit of a passive/external indication unit (PTB 02 ATEX 2136 X).

The rules for the interconnection of intrinsically safe circuits between the ultrasonic sensors LEVEL TRANSMITTER LT8176.C***H***, LT8177.C***H*** and the external indication unit are maintained, if the total inductance and total capacity of the connection cable between microwave sensors LEVEL TRANSMITTER LT8176.C***H***, LT8177.C***H*** and the indication unit $L_{\text{cable}} = 100 \mu\text{H}$ and $C_{\text{cable}} = 2,8 \mu\text{F}$ is not exceeded. The indication and adjustment module (AB-MODUL-BÜRKERT) integrated in LEVEL TRANSMITTER LT8176.C***H***, LT8177.C***H*** and connected interface converter are taken into account.

Communication circuit: (I²C-BUS socket in the electronics compartment, additionally in the connection compartment with double chamber housing version)

In ignition protection type intrinsic safety EEx ia IIC

For connection to the intrinsically safe signal circuit of an interface converter (PTB 07 ATEX 2013 X).

Indicating and adjustment module circuit: (spring contacts in the electronics compartment)

In ignition protection type intrinsic safety EEx ia IIC

Only for connection to the indicating and adjustment module (AB-MODUL-BÜRKERT)

MAN 1000108677 MIL Vaissta
Status: RL (released ITC)
Date: 07.2008

The intrinsically safe circuits are electrically separated from parts which can be grounded.

For applications requiring instruments of category 2G, the intrinsically safe power supply and signal circuit can correspond to protection class ia or ib. For connection to a circuit with protection class ib, the flame proofing identification is EEx ib IIC T6.

For applications requiring instruments of category 1/2G, the intrinsically safe power supply and signal circuit must be in conformity with protection class ia.

For applications requiring instruments of category 1/2G the LEVEL TRANSMITTER LT8176.C***H***, LT8177.C***H*** is preferably connected to appropriate instruments with electrically separated intrinsically safe circuits.

4 Application conditions

4.1 Permissible ambient temperatures

4.1.1 For use as category 1/2G instrument

Temperature class	Permissible ambient temperature on the electronics	Permissible ambient temperature on the transducer
T6	-40 ... +57 °C	-20 ... +58 °C
T5	-40 ... +72 °C	-20 ... +60 °C
T4, T3, T2, T1	-40 ... +85 °C	-20 ... +60 °C

For the specified permissible ambient temperatures on the sensor and electronics, the 80% consideration of EN 1127-1 sect. 6.4.2 is taken into account.

If the LEVEL TRANSMITTER LT8176.C***H***, LT8177.C***H*** are operated at higher temperatures than those specified in the above table, please make sure by means of appropriate measures that there is no danger of ignition from these hot surfaces, under consideration of the 6 K self-warming on the transducer. The permissible temperature on the electronics/housing should not exceed the values specified in the above table.

The application conditions during operation without explosive mixtures are mentioned in the manufacturer instructions.

4.1.2 For use as category 2G instrument

Temperature class	Permissible ambient temperature on the electronics	Permissible ambient temperature on the transducer
T6	-40 ... +57 °C	-20 ... +74 °C
T5	-40 ... +72 °C	-20 ... +89 °C
T4, T3, T2, T1	-40 ... +85 °C	-20 ... +90 °C

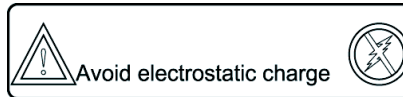
If the LEVEL TRANSMITTER LT8176.C***H***, LT8177.C***H*** are operated with higher temperatures as stated in the above mentioned table, please make sure by appropriate measures, that the danger of ignition caused by these hot surfaces can be excluded, under consideration of the self-heating of 6 K on the transducer. The max. permissible temperature on the electronics/housing should not exceed the values stated in the above mentioned table.

The application conditions during operation without explosive mixtures are mentioned in the manufacturer instructions.

4.2 Permissible operating pressure

For applications requiring instruments of category 1/2G, the process pressure of the media must be between 0.8 ... 1.1 bar.

5 Protection against static electricity



The ultrasonic sensors LEVEL TRANSMITTER LT8176.C***H***, LT8177.C***H*** have surfaces that can get electrostatically charged. A caution label on the housing refers to the safety measures that must be applied when the danger of electrostatic charges exists during operation and maintenance work.

Caution: Plastic parts! Danger of static charge!

- Avoid friction
- No dry cleaning
- Do not mount in pneumatic filling stream

6 Use of an overvoltage arrester

On request the ultrasonic sensors LEVEL TRANSMITTER LT8176.C***H***, LT8177.C***H*** can be connected to an overvoltage arrester.

If the ultrasonic sensors LEVEL TRANSMITTER LT8176.C***H***, LT8177.C***H*** are used as category 1/2G instruments, lightning protection measures according to EN 60079-14 sect. 12.3 are not required.

7 Grounding

The LEVEL TRANSMITTER LT8176.C***H***, LT8177.C***H*** must be electrostatically grounded (transfer resistance $\leq 1\text{M}\Omega$), e.g. via the ground terminal,

8 Material resistance

For applications requiring instruments of category 1/2G the LEVEL TRANSMITTER LT8176.C***H***, LT8177.C***H*** should only be used in media against which the wetted materials are sufficiently resistant.

9 Installation

To exclude the danger of mechanical damage the LEVEL TRANSMITTER LT8176.C***H***, LT8177.C***H*** must be installed in such a way, that the transducer is protected against environmental stress.

MAN 1000108677 ML Version: - Status: RL (released | freigegeben) printed: 04.07.2008

MAN 1000108677 ML Version: - Status: RL (released | freigegeben) printed: 04.07.2008

MAN 1000108677 ML Version: - Status: RL (released | freigegeben) printed: 04.07.2008

The smart choice
of Fluid Control Systems
www.buerkert.com

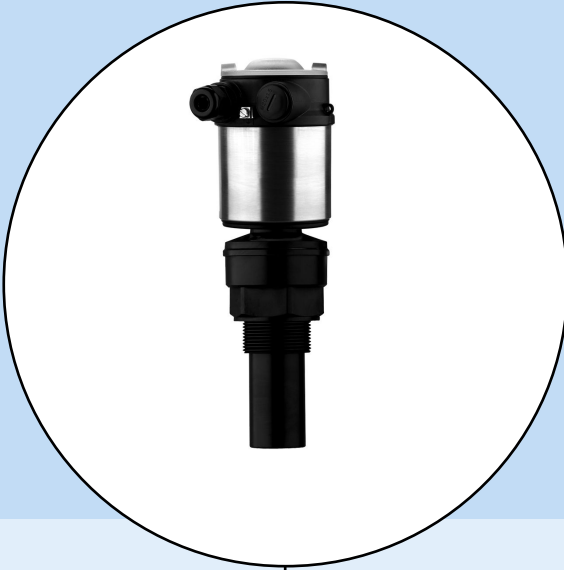
bürkert
Fluid Control Systems

Subject to change without prior notice
© Bürkert-Werke GmbH & Co. KG

32829-EN-070615

Consignes de sécurité

MAN 1000108677 ML Version: - Status: RL (released | freigegeben) printed: 04.07.2008



**LEVEL TRANSMITTER
LT817*.C***H*****

PTB 07 ATEX 2003 X

⊕ II 1/2G, II 2G EEx ia IIC T6



CE 0102



32829

Consignes de sécurité

Sommaire

EG	Conformitätserklärung	4
EC	declaration of conformity	4
	Déclaration CE de conformité	4
1	Validité	5
2	Généralités	5
	1 Matériel de la catégorie 1/2G	5
	2 Matériel de la catégorie 2G	5
3	Caractéristiques techniques	6
	1 Versions électriques et caractéristiques	6
4	Conditions d'application	7
	1 Températures ambiantes tolérées	7
	2 Pression de service tolérée	8
5	Protection contre les risques d'électricité statique	8
6	Utilisation d'un appareil de protection contre les surtensions	9
7	Mise à la terre	9
8	Résistance des matériaux	9
9	Installation	9

A respecter :

Ces consignes de sécurité font partie intégrante de la notice de mise en service :

- 32058 - LEVEL TRANSMITTER 8176
- 32059 - LEVEL TRANSMITTER 8177
- 33453 - Certificat d'examen CE de type PTB 07 ATEX 2003 X

Consignes de sécurité

DE	Sicherheitshinweise für den Einsatz in explosionsgefährdeten Bereichen, verfügbar in den Sprachen deutsch, englisch, französisch und spanisch.
EN	Safety instructions for the use in hazardous areas are available in German, English, French and Spanish language.
FR	Consignes de sécurité pour l'utilisation en atmosphère explosible, disponibles dans les langues allemande, anglaise, française et espagnole.
ES	Instrucciones de seguridad para el empleo en áreas con riesgo de explosión, disponible en los siguientes idiomas alemán, inglés, francés y español.
CZ	Pokud nastanú potíže při čtení bezpečnostních upozornění v otisknutých jazycích, poskytneme Vám na základě žádosti k dispozici kopii v jazyce Vaší země.
DA	Hvis De har svært ved at forstå sikkerhedsforskrifterne på de trykte sprog, kan De få en kopi på Deres sprog, hvis De ønsker det.
EL	Εάν δυσκολεύεστε να διαβάσετε τις υποδείξεις ασφαλείας στις γλώσσες που ήδη έχουν τυπωθεί, τότε σε περίπτωση ζήτησης μπορούμε να θέσουμε στη διάθεσή σας ένα αντίγραφο αυτών στη γλώσσα της χώρας σας.
ET	Kui teil on raskusi trükitud keeltes ohutusnõuete lugemisega, siis saadame me teie järelpeärimise peale nende koopia teie riigi keeles.
FI	Laitteen mukana on erikielisiä turvallisuusohjeita. Voit tilata meiltä äidinkielist turvallisuusohjeet, jos et selviä mukana olevilla kielillä.
HU	Ha a biztonságú előírásokat a kinyomtatott nyelveken nem tudja megfelelően elolvasni, akkor lépjen velünk kapcsolatba: azonnal a rendelkezésére bocsátunk egy példányt az Ön országában használt nyelven.
IT	Se le Normative di sicurezza sono stampate in una lingua di difficile comprensione, potete richiederne una copia nella lingua del vostro paese.
LT	Jei Jums sunku suprasti saugos nuorodų tekstą pateiktomis kalbomis, kreipkitės į mus ir mes Jums duosime kopiją Jūsų šalies kalba.
LV	Ja Jums ir problēmas drošības noteikumus lasīt nodrukātajās valodās, tad mēs Jums sniegsim pēc pieprasījuma kopiju Jūsu valsts valodā.
MT	F'kaz li jkollok xi diffikulta' biex tifhem listruzzjonijiet ta' sigurta' kif iprovduti, infurmana u ahna nibghatulek kopja billingwa tieghek.
NL	Als u moeijikheden mocht hebben met het lezen van de veiligheidsinstructies in de afgedrukte talen, sturen wij u op aanvraag graag een kopie toe in uw eigen taal.
PL	W przypadku trudności odczytania przepisów bezpieczeństwa pracy w wydrukowanych językach, chętnie udostępniemy Państwu kopię w języku obowiązującym w danym kraju.
PT	Caso tenha dificuldade de ler as instruções de segurança no idioma, no elas foram impressas, poderá solicitar junto a nós uma cópia em seu idioma.
SK	Pokiaľ nastanú problémy pri čítaní bezpečnostných pokynov vo vydaných jazykoch, poskytneme Vám na základe žiadosti k dispozícii kópiu v jazyku Vašej krajiny.
SL	Kadar se pojavijo težave pri branju varnostnih navodil v izdanih jezikih, vam bomo na osnovi zahtevka dali na razpolago kopijo v jeziku vaše države.
SV	Om du har problem att läsa säkerhetsanvisningarna på de här tryckta språken, ställer vi gärna på begäran en kopia på ditt språk till förfogande.

32829-FR-070618

**EG-Konformitätserklärung
EC declaration of conformity
Déclaration CE de conformité**

Bürkert Werke GmbH & Co.KG
Christian-Bürkert-Straße 13 - 17
74653 Ingelfingen
Deutschland

erklärt in alleiniger Verantwortung, dass das Produkt
declare under our sole responsibility that our product
déclare sous sa seule responsabilité que le produit

LEVEL TRANSMITTER LT8176.C*H***, LT8177.C***H*****

auf das sich diese Erklärung bezieht, mit den folgenden Normen übereinstimmt
to which this declaration relates is in conformity with the following standards
auquel se réfère cette déclaration est conforme aux normes

EN 50014: 1997 + A1 + A2

EN 50020: 1999

EN 50284: 1999

EN 61010-1: 2001

EN 61326: 1997/A1: 1998 Emission (Klasse A/class A/class A)

EN 61326: 1997/A1: 1998 Immission/Susceptibility

gemäß den Bestimmungen der Richtlinien
following the provision of Directives
conformément aux dispositions des Directives

94/9/EG

2006/95/EG

89/336/EWG

EG-Baumusterprüfbescheinigung Nummer
EC-Type Examination Certificate Number
Numéro du certificat d'examen CE de type

PTB 07 ATEX 2003 X

Benannte Stelle/Kennnummer
Notified Body/Identification number
Organisme notifié/Numéro d'identification

PTB/0102

Ingelfingen, 26.03.07

i.A. Sonja Drolshagen
Certifications Engineer

1 Validité

Ces consignes de sécurité sont valables pour les capteurs à ultrason LEVEL TRANSMITTER 8176 et LEVEL TRANSMITTER 8177 de la série LEVEL TRANSMITTER LT8176.C***H***, LT8177.C***H*** conformément au certificat d'examen CE de type PTB 07 ATEX 2003 X (numéro du certificat sur la plaque signalétique).

2 Généralités

L'appareil de mesure de niveau basé sur les ultrasons LEVEL TRANSMITTER LT8176.C***H***, LT8177.C***H*** sert à la mesure de la distance entre la surface du produit et le transducteur au moyen d'ondes ultrasoniques dans la plage des kHz. L'électronique utilise le temps de propagation des signaux réfléchis par la surface du produit pour calculer la distance au produit. Les capteurs ultrasoniques LEVEL TRANSMITTER LT8176.C***H***, LT8177.C***H*** se composent d'un boîtier où est logée l'électronique, d'un élément de raccordement au process et d'un élément de mesure, le transducteur. Au choix, un module de réglage et d'affichage avec la désignation AB/MODUL-BÜRKERT peut y être intégré.

Les capteurs ultrasoniques LEVEL TRANSMITTER LT8176.C***H***, LT8177.C***H*** sont appropriés pour une utilisation en atmosphère explosive des toutes les matières inflammables des groupes d'explosion IIA, IIB et IIC, pour les applications nécessitant un matériel de la catégorie 1/2G ou 2G. Les produits à mesurer peuvent être des liquides, gaz, brouillards ou vapeurs inflammables.

Si les capteurs ultrasoniques LEVEL TRANSMITTER LT8176.C***H***, LT8177.C***H*** sont installés et utilisés en atmosphères explosibles, il faudra respecter les règles d'installation générales concernant la protection Ex ainsi que ces consignes de sécurité.

La notice de mise en service ainsi que les règles d'installation se rapportant à la prévention et la protection contre les explosions mais aussi les normes valables pour les installations électriques sont à respecter.

Seul un personnel spécialisé et qualifié est autorisé à installer le matériel ou les groupes de matériel de protection pour atmosphères explosibles.

2.1 Matériel de la catégorie 1/2G

Le boîtier de l'électronique des capteurs ultrasoniques LEVEL TRANSMITTER LT8176.C***H***, LT8177.C***H*** sera installé en atmosphères explosibles dans les zones nécessitant un matériel de la catégorie 2G. L'élément de raccordement au process sera installé sur la paroi de la cuve séparant les zones dans lesquelles un matériel de la catégorie 2G ou 1G est nécessaire. Le transducteur avec l'élément de fixation mécanique sera installé en atmosphère explosible nécessitant un matériel de la catégorie 1G.

2.2 Matériel de la catégorie 2G

Les capteurs ultrasoniques LEVEL TRANSMITTER LT8176.C***H***, LT8177.C***H*** seront installés en atmosphère explosible nécessitant un matériel de la catégorie 2G.

3 Caractéristiques techniques

3.1 Versions électriques et caractéristiques

Mode de protection sécurité intrinsèque Ex "i"

Les LEVEL TRANSMITTER LT8176.C***H***, LT8177.C***H*** possèdent des circuits courant de sécurité intrinsèque. Le raccordement de ces circuits courant de sécurité intrinsèque s'effectue aux bornes logées dans un compartiment de raccordement "Ex i".

Circuit d'alimentation et signal : (bornes 1[+] 2[-] dans le compartiment de raccordement Ex "i")

En mode de protection sécurité intrinsèque EEx ia IIC/IIB uniquement pour le raccordement à un circuit courant de sécurité intrinsèque certifié.

Valeurs crête :

$$U_i = 30 \text{ V}$$

$$I_i = 131 \text{ mA}$$

$$P_i = 983 \text{ mW}$$

L'inductance interne effective L_i est négligeable ; la capacité interne effective C_i est négligeable.

Circuit courant d'affichage et de réglage (bornes 5, 6, 7, 8 dans le compartiment électronique ou connecteur, pour la version du boîtier à deux chambres)

En mode de protection sécurité intrinsèque EEx ia IIC

Pour le raccordement au circuit d'alimentation et signal de sécurité intrinsèque d'une unité d'affichage externe passive (PTB 02 ATEX 2136 X).

Les règles concernant l'interconnexion des circuits courant de sécurité intrinsèque entre le capteur ultrasonique LEVEL TRANSMITTER LT8176.C***H***, LT8177.C***H*** et l'unité d'affichage externe seront respectées à condition de ne pas dépasser une inductance totale $L_{\text{câble}}$ de 100 μH et une capacité totale $C_{\text{câble}}$ de 2,8 μF sur la ligne reliant le LEVEL TRANSMITTER LT8176.C***H***, LT8177.C***H*** à l'unité d'affichage. Le module de réglage et d'affichage intégré au LEVEL TRANSMITTER LT8176.C***H***, LT8177.C***H*** (AB-MODUL-BÜRKERT) ainsi que le convertisseur d'interface raccordé sont déjà pris en compte.

Circuit courant de communication (contacteur bus I²C dans le compartiment électronique, en plus dans le compartiment de raccordement pour la version du boîtier à deux chambres)

En mode de protection sécurité intrinsèque EEx ia IIC
 Pour le raccordement au circuit signal de sécurité intrinsèque d'un convertisseur d'interfaces (PTB 07 ATEX 2013 X).

Circuit courant du module de réglage et d'affichage : (contacts ressort dans le compartiment électronique) :

En mode de protection sécurité intrinsèque EEx ia IIC
 Uniquement pour le raccordement au module de réglage et d'affichage (AB-MODUL-BÜRKERT)

Il existe une séparation galvanique sûre entre les circuits courant de sécurité intrinsèque et les parties pouvant être mises à la terre.

Pour les applications nécessitant un matériel de la catégorie 2G, le circuit signal et d'alimentation de sécurité intrinsèque peut correspondre au niveau de protection ia ou ib. Pour le raccordement à un circuit courant avec un niveau de protection ib, l'indice de protection est EEx ib IIC T6.

Pour les applications nécessitant un matériel de la catégorie 1/2G, le circuit courant d'alimentation et signal de sécurité intrinsèque doit correspondre au niveau de protection ia.

Pour les applications nécessitant un matériel de la catégorie 1/2G, les LEVEL TRANSMITTER LT8176.C***H***, LT8177.C***H*** sont à raccorder de préférence à des matériels associés possédant des circuits courant de sécurité intrinsèque à séparation galvanique.

4 Conditions d'application

4.1 Températures ambiantes tolérées

4.1.1 Matériel utilisé comme catégorie 1/2G

Classe de température	Température ambiante tolérée à l'électronique	Température ambiante tolérée au transducteur
T6	-40 ... +57 °C	-20 ... +58 °C
T5	-40 ... +72 °C	-20 ... +60 °C
T4, T3, T2, T1	-40 ... +85 °C	-20 ... +60 °C

Pour les températures ambiantes tolérées à l'élément de mesure et à l'électronique indiquées ici, la considération à 80 % de la EN 1127-1 chapitre 6.4.2 a été prise en compte.

Si les LEVEL TRANSMITTER LT8176.C***H***, LT8177.C***H*** doivent fonctionner à des températures plus élevées que celles indiquées dans le tableau ci-dessus, il faudra par des mesures adéquates et tenant compte de l'échauffement propre du transducteur de 6 K, faire en sorte qu'il n'y ait aucun risque d'inflammation provenant de telles surfaces très chaudes. En tous les cas, la température tolérée à l'électronique/au boîtier ne devra jamais dépasser les valeurs respectives du tableau ci-dessus.

6 Utilisation d'un appareil de protection contre les surtensions

Si besoin est, un appareil de protection contre les surtensions peut être installé en amont des ultrasons LEVEL TRANSMITTER LT8176.C***H***, LT8177.C***H***.

Des mesures de protection contre les surtensions ne seront pas nécessaires selon la norme EN 60079-14, chapitre 12.3, si les ultrasons LEVEL TRANSMITTER LT8176.C***H***, LT8177.C***H*** sont utilisés comme matériel de la catégorie 1/2G

7 Mise à la terre

Une mise à la terre électrostatique des ultrasons LEVEL TRANSMITTER LT8176.C***H***, LT8177.C***H*** (résistance de contact $\leq 1\text{M}\Omega$) est nécessaire, p.ex. par la borne de raccordement à la terre.

8 Résistance des matériaux

Dans les applications nécessitant un matériel de la catégorie 1/2G, l'utilisation des LEVEL TRANSMITTER LT8176.C***H***, LT8177.C***H*** se limitera strictement aux produits pour lesquels leurs matériaux en contact possèdent une résistance chimique suffisante.

9 Installation

En cas de risque de détérioration mécanique du transducteur, les LEVEL TRANSMITTER LT8176.C***H***, LT8177.C***H*** sont à installer de façon à ce que le transducteur soit protégé contre toute contrainte environnante.

MAN 100010867
Version: -
Date: 01.02.2008
Produkt: RL
Release: (an)

MAN 1000108677 ML Version: - Status: RL (released | freigegeben) printed: 04.07.2008

MAN 1000108677 ML Version: - Status: RL (released | freigegeben) printed: 04.07.2008

MAN 1000108677 ML Version: - Status: RL (released | freigegeben) printed: 04.07.2008

The smart choice
of Fluid Control Systems
www.buerkert.com

Sous réserve de modifications
© Bürkert-Werke GmbH & Co. KG


Fluid Control Systems

32829-FR-070618

Sicherheitshinweise

MAN 1000108677 ML Version: - Status: RL (released | freigegeben) printed: 04.07.2008



**LEVEL TRANSMITTER
LT817*.C***H*****

PTB 07 ATEX 2003 X

⊕ II 1/2G, II 2G EEx ia IIC T6



CE 0102



32829

bürkert
Fluid Control Systems

Sicherheitshinweise

Inhaltsverzeichnis

EG Konformitätserklärung	4
EC declaration of conformity	4
Déclaration CE de conformité	4
1 Geltung	5
2 Allgemeines	5
2.1 Kategorie 1/2G Betriebsmittel	5
2.2 Kategorie 2G Betriebsmittel	6
3 Technische Daten	6
3.1 Elektrische Ausführungen und Daten	6
4 Einsatzbedingungen	7
4.1 Zulässige Umgebungstemperaturen	7
4.2 Zulässiger Betriebsdruck	8
5 Schutz gegen Gefährdung durch statische Elektrizität	8
6 Einsatz eines Überspannungsschutzgerätes	8
7 Erdung	9
8 Werkstoffbeständigkeit	9
9 Errichtung	9

Zu beachten:

Diese Sicherheitshinweise sind Bestandteil der Betriebsanleitungen:

- 32058 - LEVEL TRANSMITTER 8176
- 32059 - LEVEL TRANSMITTER 8177
- 33453 - EG-Baumusterprüfbescheinigung PTB 07 ATEX 2003 X

Sicherheitshinweise

DE	Sicherheitshinweise für den Einsatz in explosionsgefährdeten Bereichen, verfügbar in den Sprachen deutsch, englisch, französisch und spanisch.
EN	Safety instructions for the use in hazardous areas are available in German, English, French and Spanish language.
FR	Consignes de sécurité pour l'utilisation en atmosphère explosible, disponibles dans les langues allemande, anglaise, française et espagnole.
ES	Instrucciones de seguridad para el empleo en áreas con riesgo de explosión, disponible en los siguientes idiomas alemán, inglés, francés y español.
CZ	Pokud nastanou potíže při čtení bezpečnostních upozornění v otisknutých jazycích, poskytneme Vám na základě žádosti k dispozici kopii v jazyce Vaší země.
DA	Hvis De har svært ved at forstå sikkerhedsforskrifterne på de trykte sprog, kan De få en kopi på Deres sprog, hvis De ønsker det.
EL	Εάν δυσκολεύεστε να διαβάσετε τις υποδείξεις ασφαλείας στις γλώσσες που ήδη έχουν τυπωθεί, τότε σε περίπτωση ζήτησης μπορούμε να θέσουμε στη διάθεσή σας ένα αντίγραφο αυτών στη γλώσσα της χώρας σας.
ET	Kui teil on raskusi trükitud keeltes ohutusnõuete lugemisega, siis saadame me teie järelepärimise peale nende koopia teie riigi keeles.
FI	Laitteen mukana on erikielisiä turvallisuusohjeita. Voit tilata meiltä äidinkielistä turvallisuusohjeet, jos et selviä mukana olevilla kiellillä.
HU	Ha a biztonságú előírásokat a kinyomtatott nyelveken nem tudja megfelelően elolvasni, akkor lépjen velünk kapcsolatba: azonnal a rendelkezésére bocsátunk egy példányt az Ön országában használt nyelven.
IT	Se le Normative di sicurezza sono stampate in una lingua di difficile comprensione, potete richiederne una copia nella lingua del vostro paese.
LT	Jei Jums sunku suprasti saugos nuorodų tekstą pateiktomis kalbomis, kreipkitės į mus ir mes Jums duosime kopiją Jūsų šalies kalba.
LV	Ja Jums ir problēmas drošības noteikumus lasīt nodrukātajās valodās, tad mēs Jums sniegsim pēc pieprasījuma kopiju Jūsu valsts valodā.
MT	F'kaz li jkollok xi diffikulta' biex tifhem listruzzjonijiet ta' sigurta' kif iprovduti, infurmana u ahna nibghatulek kopja billingwa tieghek.
NL	Als u moeijikheden mocht hebben met het lezen van de veiligheidsinstructies in de afgedrukte talen, sturen wij u op aanvraag graag een kopie toe in uw eigen taal.
PL	W przypadku trudności odczytania przepisów bezpieczeństwa pracy w wydrukowanych językach, chętnie udostępnimy Państwu kopię w języku obowiązującym w danym kraju.
PT	Caso tenha dificuldade de ler as instruções de segurança no idioma, no elas foram impressas, poderá solicitar junto a nós uma cópia em seu idioma.
SK	Pokiaľ nastanú problémy pri čítaní bezpečnostných pokynov vo vydaných jazykoch, poskytneme Vám na základe žiadosti k dispozícii kópiu v jazyku Vašej krajiny.
SL	Kadar se pojavijo težave pri branju varnostnih navodil v izdanih jezikih, vam bomo na osnovi zahtevka dali na razpolago kopijo v jeziku vaše države.
SV	Om du har problem att läsa säkerhetsanvisningarna på de här tryckta språken, ställer vi gärna på begäran en kopia på ditt språk till förfogande.

**EG-Konformitätserklärung
EC declaration of conformity
Déclaration CE de conformité**

Bürkert Werke GmbH & Co.KG
Christian-Bürkert-Straße 13 - 17
74653 Ingelfingen
Deutschland

erklärt in alleiniger Verantwortung, dass das Produkt
declare under our sole responsibility that our product
déclare sous sa seule responsabilité que le produit

LEVEL TRANSMITTER LT8176.C*H***, LT8177.C***H*****

auf das sich diese Erklärung bezieht, mit den folgenden Normen übereinstimmt
to which this declaration relates is in conformity with the following standards
auquel se réfère cette déclaration est conforme aux normes

EN 50014: 1997 + A1 + A2

EN 50020: 1999

EN 50284: 1999

EN 61010-1: 2001

EN 61326: 1997/A1: 1998 Emission (Klasse A/class A/class A)

EN 61326: 1997/A1: 1998 Immission/Susceptibility

gemäß den Bestimmungen der Richtlinien
following the provision of Directives
conformément aux dispositions des Directives

94/9/EG

2006/95/EG

89/336/EWG

EG-Baumusterprüfbescheinigung Nummer
EC-Type Examination Certificate Number
Numéro du certificat d'examen CE de type

PTB 07 ATEX 2003 X

Benannte Stelle/Kennnummer
Notified Body/Identification number
Organisme notifié/Numéro d'identification

PTB/0102

Ingelfingen, 26.03.07



i.A. Sonja Drolshagen
Certifications Engineer

1 Geltung

Diese Sicherheitshinweise gelten für die Ultraschallsensoren LEVEL TRANSMITTER 8176 und LEVEL TRANSMITTER 8177 der Typenreihe LEVEL TRANSMITTER LT8176.C***H***, LT8177.C***H*** gemäß der EG-Baumusterprüfbescheinigung PTB 07 ATEX 2003 X (Bescheinigungsnummer auf dem Typschild).

2 Allgemeines

Das Füllstandmessgerät auf Ultraschallbasis LEVEL TRANSMITTER LT8176.C***H***, LT8177.C***H*** dient zur Erfassung des Abstandes zwischen einer Füllgutoberfläche und dem Schallwandler mittels Ultraschallwellen im kHz-Bereich. Die Elektronik nutzt die Laufzeit der von der Füllgutoberfläche reflektierten Signale um den Abstand zur Füllgutoberfläche zu errechnen. Die Ultraschallsensoren LEVEL TRANSMITTER LT8176.C***H***, LT8177.C***H*** bestehen aus einem Elektronikgehäuse, einem Prozessanschlusselement und einem Messfühler, dem Schallwandler. Wahlweise kann auch ein Anzeige- und Bedienmodul mit der Bezeichnung AB/MODUL-BÜRKERT eingebaut werden.

Die Ultraschallsensoren LEVEL TRANSMITTER LT8176.C***H***, LT8177.C***H*** sind für den Einsatz in explosionsfähiger Atmosphäre aller brennbaren Stoffe der Explosionsgruppen IIA, IIB und IIC geeignet, für Anwendungen die Betriebsmittel der Kategorie 1/2G oder der Kategorie 2G erfordern. Die Messmedien dürfen auch brennbare Flüssigkeiten, Gase, Nebel oder Dämpfe sein.

Wenn die Ultraschallsensoren LEVEL TRANSMITTER LT8176.C***H***, LT8177.C***H*** in explosionsgefährdeten Bereichen errichtet und betrieben werden, müssen die allgemeinen Errichtungsbestimmungen für den Explosionsschutz sowie diese Sicherheitshinweise beachtet werden.

Die Betriebsanleitung sowie die zutreffenden für den Explosionsschutz gültigen Errichtungsvorschriften bzw. Normen für elektrische Anlagen sind grundsätzlich zu beachten.

Die Errichtung von explosionsgeschützten Anlagen muss grundsätzlich durch Fachpersonal vorgenommen werden.

2.1 Kategorie 1/2G Betriebsmittel

Das Elektronikgehäuse der Ultraschallsensoren LEVEL TRANSMITTER LT8176.C***H***, LT8177.C***H*** wird im explosionsgefährdeten Bereich in Bereichen errichtet, die ein Betriebsmittel der Kategorie 2G erfordern. Das Prozessanschlusselement wird in der Trennwand errichtet, die die Bereiche voneinander trennt, in denen Betriebsmittel der Kategorie 2G oder 1G erforderlich sind. Der Schallwandler mit dem mechanischen Befestigungselement wird im explosionsgefährdeten Bereich errichtet der Betriebsmittel der Kategorie 1G erfordert.

2.2 Kategorie 2G Betriebsmittel

Die Ultraschallsensoren LEVEL TRANSMITTER LT8176.C***H***, LT8177.C***H*** werden im explosionsgefährdeten Bereich errichtet der Betriebsmittel der Kategorie 2G erfordert.

3 Technische Daten

3.1 Elektrische Ausführungen und Daten

Zündschutzart Eigensicherheit Ex "i"

Die LEVEL TRANSMITTER LT8176.C***H***, LT8177.C***H*** besitzen eigensichere Stromkreise. Der Anschluss dieser eigensicheren Stromkreise erfolgt an Klemmen die in einem "Ex i"-Anschlussraum untergebracht sind.

Versorgungs- und Signalstromkreis:
(Klemmenr. 1[+], Nr. 2[-] im Ex "i"-Anschlussraum)

In Zündschutzart Eigensicherheit EEx ia IIC/IIB
Nur zum Anschluss an einen bescheinigten eigensicheren Stromkreis.

Höchstwerte:

$$U_i = 30 \text{ V}$$

$$I_i = 131 \text{ mA}$$

$$P_i = 983 \text{ mW}$$

Wirksame innere Induktivität L_i ist vernachlässigbar; wirksame innere Kapazität C_i ist vernachlässigbar.

Anzeige- und Bedienstromkreis (Klemmen 5, 6, 7, 8 im Elektronikraum oder Steckeranschluss, bei der Zweikammergehäuseausführung)

In Zündschutzart Eigensicherheit EEx ia IIC
Zum Anschluss an den eigensicheren Versorgungs- und Signalstromkreis einer passiven/externen Anzeigeeinheit (PTB 02 ATEX 2136 X). Die Regeln für die Zusammenschaltung eigensicherer Stromkreise zwischen den Ultraschallsensoren LEVEL TRANSMITTER LT8176.C***H***, LT8177.C***H*** und der externen Anzeigeeinheit sind eingehalten, wenn die Gesamtinduktivität und Gesamtkapazität der Verbindungsleitung zwischen Ultraschallsensoren LEVEL TRANSMITTER LT8176.C***H***, LT8177.C***H*** und der Anzeigeeinheit $L_{\text{Kabel}} = 100 \mu\text{H}$ und $C_{\text{Kabel}} = 2,8 \mu\text{F}$ nicht überschritten wird. Im LEVEL TRANSMITTER LT8176.C***H***, LT8177.C***H*** eingebautes Anzeige- und Bedienmodul (AB-MODUL-BÜRKERT) und angeschlossener Schnittstellenkonverter sind berücksichtigt.

Kommunikationsstromkreis (I²C-Bus-Buchse im Elektronikraum, zusätzlich im Anschlussraum bei der Zweikammergehäuseausführung)

In Zündschutzart Eigensicherheit EEx ia IIC
Zum Anschluss an den eigensicheren Signalstromkreis eines Schnittstellenconverters (PTB 07 ATEX 2013 X).

Anzeige- und Bedienmodul-Stromkreis: (Federkontakte im Elektronikraum)

In Zündschutzart Eigensicherheit EEx ia IIC
Nur zum Anschluss an das Anzeige- und Bedienmodul (AB-MODUL-BÜRKERT)

Die eigensicheren Stromkreise sind von Teilen die geerdet werden können sicher galvanisch getrennt.

Bei Anwendungen die Kategorie 2G Betriebsmittel erfordern, kann der eigensichere Versorgungs- und Signalstromkreis dem Schutzniveau ia oder ib entsprechen. Beim Anschluss an einen Stromkreis mit dem Schutzniveau ib lautet das Zündschutzkennzeichen EEx ib IIC T6.

Bei Anwendungen die Kategorie 1/2G Betriebsmittel erfordern, muss der eigensichere Versorgungs- und Signalstromkreis dem Schutzniveau ia entsprechen.

Die LEVEL TRANSMITTER LT8176.C***H***, LT8177.C***H*** sind bei Anwendungen die Kategorie 1/2G Betriebsmittel erfordern, bevorzugt an zugehörige Betriebsmittel mit galvanisch getrennten eigensicheren Stromkreisen anzuschließen.

4 Einsatzbedingungen

4.1 Zulässige Umgebungstemperaturen

4.1.1 Beim Einsatz als Kategorie 1/2G Betriebsmittel

Temperaturklasse	Zulässige Umgebungstemperatur an der Elektronik	Zulässige Umgebungstemperatur an dem Schallwandler
T6	-40 ... +57 °C	-20 ... +58 °C
T5	-40 ... +72 °C	-20 ... +60 °C
T4, T3, T2, T1	-40 ... +85 °C	-20 ... +60 °C

Bei den angegebenen zulässigen Umgebungstemperaturen an dem Messfühler und an der Elektronik ist die 80 %-Betrachtung der EN 1127-1 Abs. 6.4.2 berücksichtigt.

Werden die LEVEL TRANSMITTER LT8176.C***H***, LT8177.C***H*** bei höheren Temperaturen als in der o.a. Tabelle angegeben betrieben, ist im Betrieb, unter Berücksichtigung der Eigenerwärmung von 6 K am Schallwandler, durch geeignete Maßnahmen sicherzustellen, dass keine Zündgefahr durch solche heißen Oberflächen besteht. Die zulässige Temperatur an der/dem Elektronik/Gehäuse darf dabei die Werte entsprechend der o.a. Tabelle nicht überschreiten.

Die Einsatzbedingungen im Betrieb ohne explosionsfähige Gemische sind den Herstellerangaben zu entnehmen.

4.1.2 Beim Einsatz als Kategorie 2G Betriebsmittel

Temperaturklasse	Zulässige Umgebungstemperatur an der Elektronik	Zulässige Umgebungstemperatur an dem Schallwandler
T6	-40 ... +57 °C	-20 ... +74 °C
T5	-40 ... +72 °C	-20 ... +89 °C
T4, T3, T2, T1	-40 ... +85 °C	-20 ... +90 °C

Werden die LEVEL TRANSMITTER LT8176.C***H***, LT8177.C***H*** bei höheren Temperaturen als in der o.a. Tabelle angegeben betrieben, ist im Betrieb, unter Berücksichtigung der Eigenerwärmung von 6 K am Schallwandler, durch geeignete Maßnahmen sicherzustellen, dass keine Zündgefahr durch solche heißen Oberflächen besteht. Die zulässige Temperatur an der/dem Elektronik/Gehäuse darf dabei die Werte entsprechend der o.a. Tabelle nicht überschreiten.

Die Einsatzbedingungen im Betrieb ohne explosionsfähige Gemische sind den Herstellerangaben zu entnehmen.

4.2 Zulässiger Betriebsdruck

Der Prozessdruck der Medien muss bei Anwendungen, die Kategorie 1/2G Betriebsmittel erfordern, zwischen 0,8 ... 1,1 bar liegen.

5 Schutz gegen Gefährdung durch statische Elektrizität



Die Ultraschallsensoren LEVEL TRANSMITTER LT8176.C***H***, LT8177.C***H*** haben Flächen die sich elektrostatisch aufladen können. Ein Warnschild auf dem Gehäuse weist auf die Sicherheitsmaßnahmen hin, die bezüglich der Gefahr elektrostatischer Aufladungen im Betrieb und bei Wartungsarbeiten anzuwenden sind.

ACHTUNG: Kunststoffteile! Gefahr statischer Aufladung!

- Reibung vermeiden
- Nicht trocken reinigen
- Nicht in pneumatischen Förderstrom montieren

6 Einsatz eines Überspannungsschutzgerätes

Den Ultraschallsensoren LEVEL TRANSMITTER LT8176.C***H***, LT8177.C***H*** kann bei Bedarf ein Überspannungsschutzgerät vorgeschaltet werden.

MAN 1000108677 ML Version: 04.07.2008
 Status: RL (Released)
 Title: (Title)
 Drawing: (Drawing)

Bei den Ultrachallsensoren LEVEL TRANSMITTER LT8176.C***H***, LT8177.C***H*** sind beim Einsatz als Kategorie 1/2G Betriebsmittel Blitzschutzmaßnahmen gemäß der EN 60079-14 Kap. 12.3 nicht erforderlich.

7 Erdung

Die LEVEL TRANSMITTER LT8176.C***H***, LT8177.C***H*** müssen elektrostatische (Übergangswiderstand $\leq 1\text{M}\Omega$) geerdet werden, z.B. über die Erdanschlussklemme.

8 Werkstoffbeständigkeit

Die LEVEL TRANSMITTER LT8176.C***H***, LT8177.C***H*** dürfen bei Anwendungen die Kategorie 1/2G Betriebsmittel fordern, nur in solchen Medien eingesetzt werden, gegen die die Medien berührenden Werkstoffe hinreichend beständig sind.

9 Errichtung

Die LEVEL TRANSMITTER LT8176.C***H***, LT8177.C***H*** sind bei Gefahr der mechanischen Beschädigung des Schallwandlers so zu errichten, dass der Schallwandler gegen Umgebungsbeanspruchung geschützt ist.

MAN 1000108677 ML Version 01
Date: 04.07.2009
Title: (release) (releasen)

MAN 1000108677 ML Version: - Status: RL (released | freigegeben) printed: 04.07.2008

MAN 1000108677 ML Version: - Status: RL (released | freigegeben) printed: 04.07.2008

MAN 1000108677 ML Version: - Status: RL (released | freigegeben) printed: 04.07.2008

The smart choice
of Fluid Control Systems
www.buerkert.com

bürkert
Fluid Control Systems

Technische Änderungen vorbehalten
© Bürkert-Werke GmbH & Co. KG

32829-DE-070522