

GENERIC 8400

MOUNTING INSTRUCTIONS

Introduction

The generic 8400 controller is delivered without a temperature measuring device. It is up to you: to mount the desired 2-wire Pt100 onto the controller to calibrate the controller once the Pt100 has been mounted.

Technical data:

connection interface for the Pt100: G1/2", external thread.

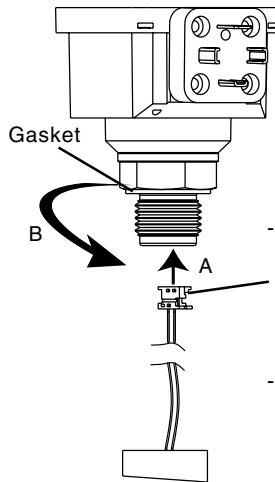
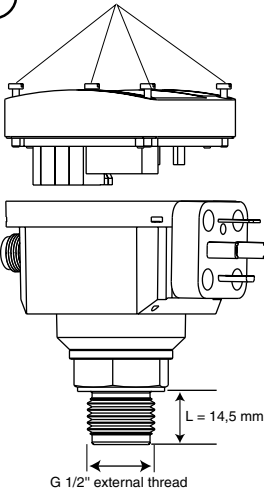
connection wires of the Pt100: 26 AWG multi-conductor, PTFE jacket

connector between the Pt100 wires and the electronic board: Molex® 90327-3304

Pt100 : 2 wires; max. cable length = 1 m.

Mounting the sensor onto the controller

1 Unscrew to lift the cover

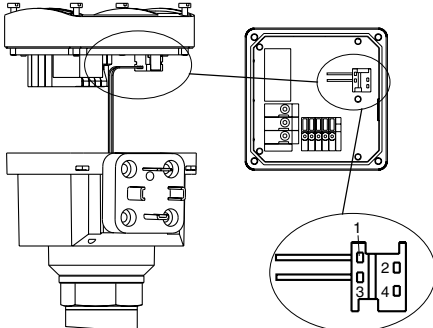


2

A: Pass the connector and cable through the G1/2" connection
B: Screw the sensor on the 8400

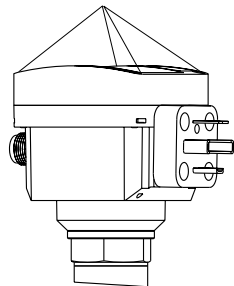
- Molex® 90327-3304 connector (order code 448850) (not delivered);
Use the Molex® 69008-0910 hand tool for the crimping (not delivered)
- or Molex® connector mounted on cable (order code 440258) (not delivered) ; In this case, only connect conductors N°1 and 3 to the two wires of the Pt100 sensor.

3 Connect the Molex® connector to the 4-pin connector of the electronic board



4

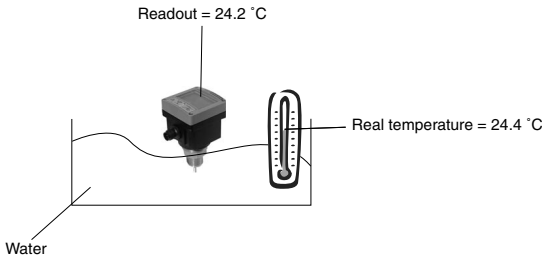
Place the cover back and screw the 4 screws in an alternating pattern at a torque rating of 0.4 Nm to ensure the tightness



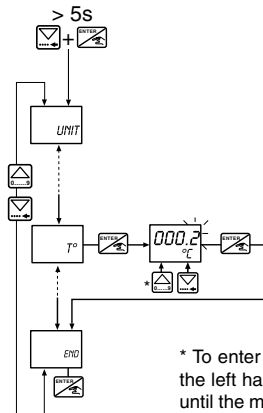
Calibrate the controller

Once the Pt100 has been mounted onto the 8400 controller:

- plunge the Pt100 into a vessel filled with water: read out the temperature indicated by the display of the controller.
- measure the real temperature of the water inside the vessel using a thermometer and note it down.



- Enter the Calibration mode of the controller.
- Select the T°-menu, validate and enter the difference between the real temperature and the temperature measured by the 8400, i.e. $24.4 - 24.2 = 0.2$ in the example above.



* To enter a negative value, select the character at the left hand side of the display and press until the minus sign appears.

- Measure again the temperature of the water inside the vessel using the 8400 and check it displays 24.4 °C

Available accessory

| Designation | Order code |
|------------------------------------------------|------------|
| Bag with 20 Molex® connectors | 448850 |
| Bag with 20 Molex® connectors mounted on cable | 440258 |